

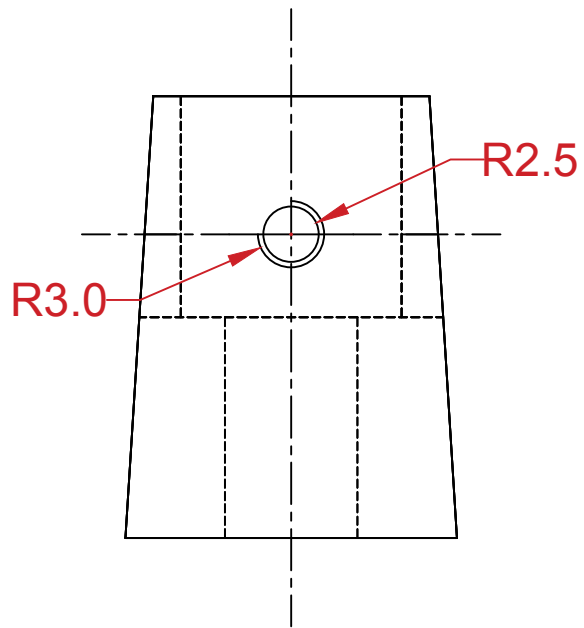


For Techno India NJR Institute of Technology
पंकज पोरवाल
Dr. Pankaj Kumar Porwal
(Principal)

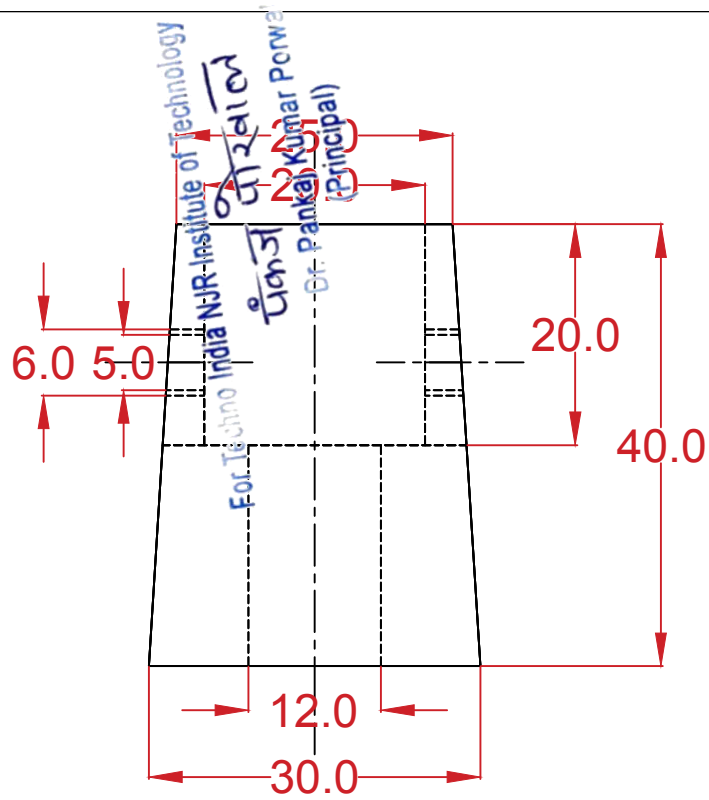
SCREW JACK

(FIRST YEAR WORKSHOP ACTIVITY FOR ME STUDENTS)

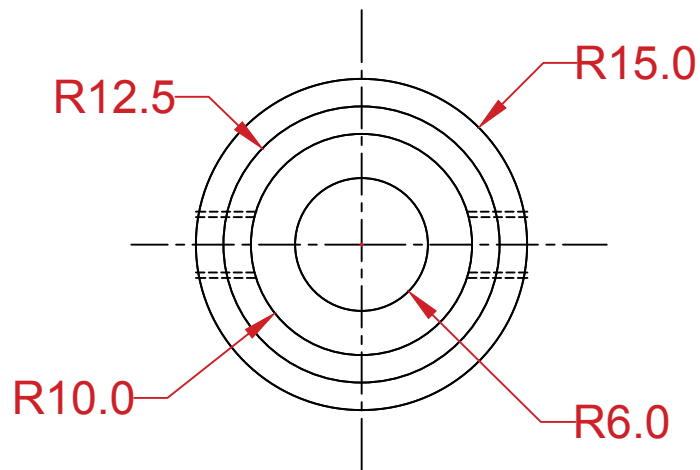
HEAD OF DEPT.
Dr. Pankaj K. Porwal



SIDE ELEVATION



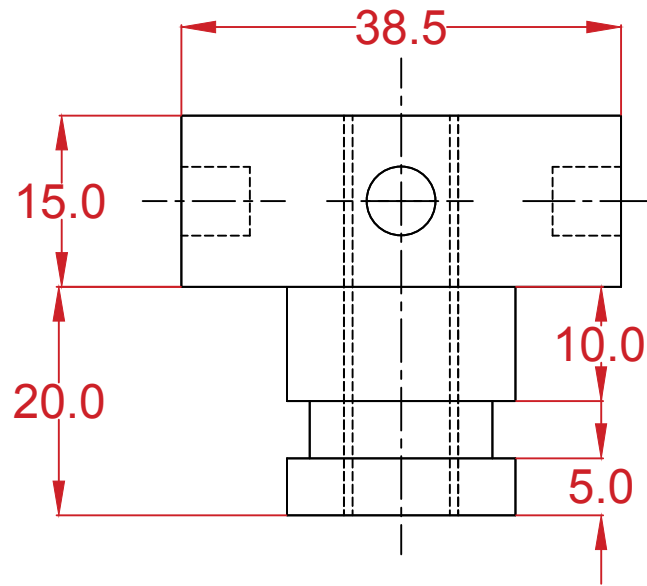
FRONT ELEVATION



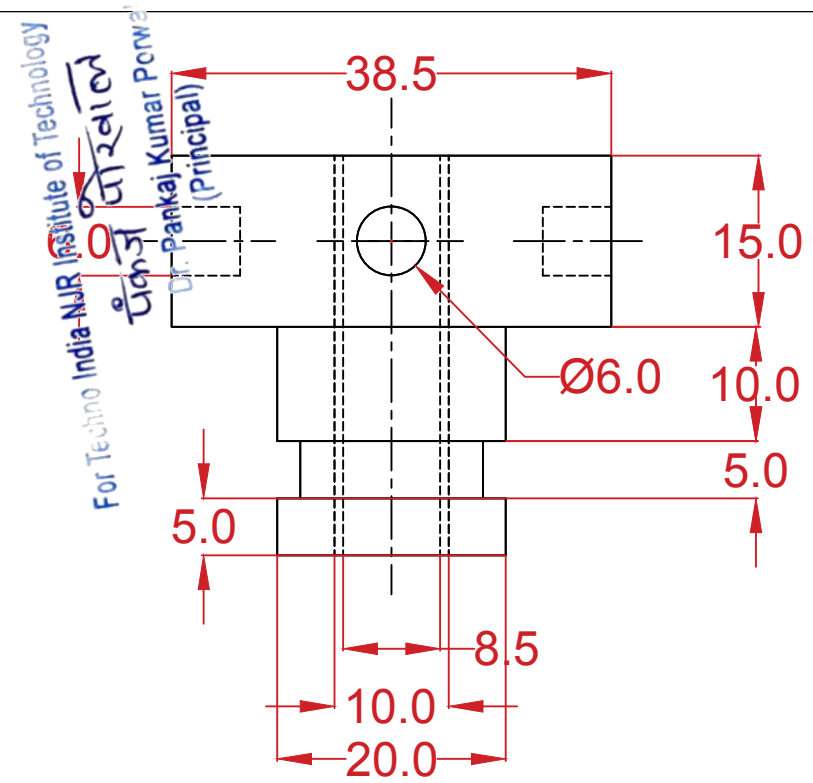
PLAN

TECHNO INDIA NJR
SCREW JACK BODY
DESIGNED BY-ASHISH
PROJECT BY-RAJENDRA SINGH
PART NO.-1

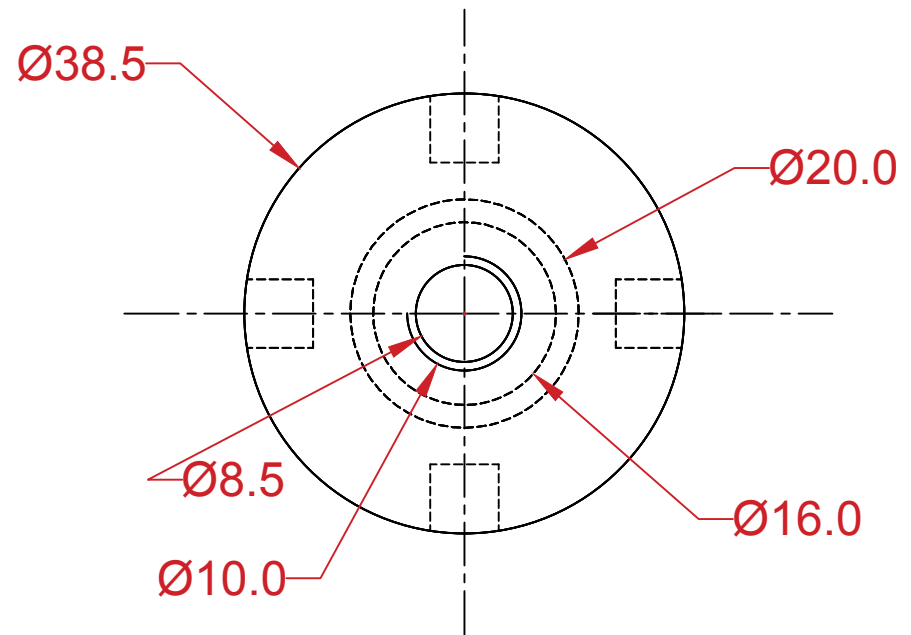
For Techno India NJR-Institute of Technology
 Dr. Pankaj Kumar Porwal
 (Principal)



SIDE ELEVATION

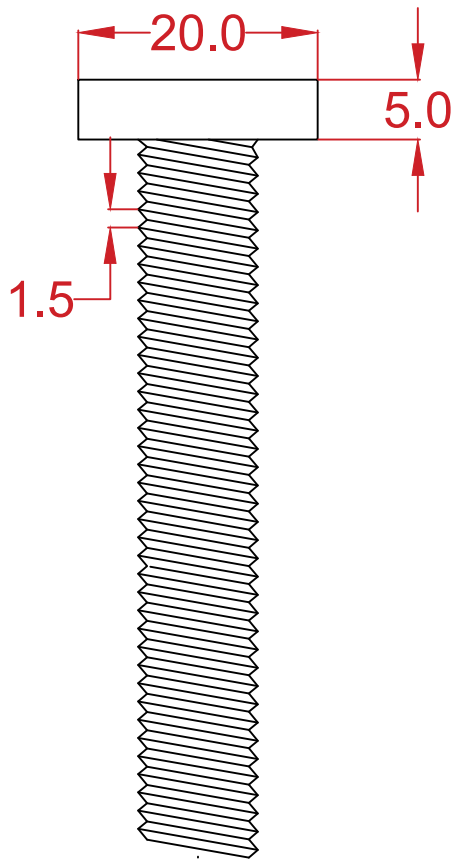


FRONT ELEVATION

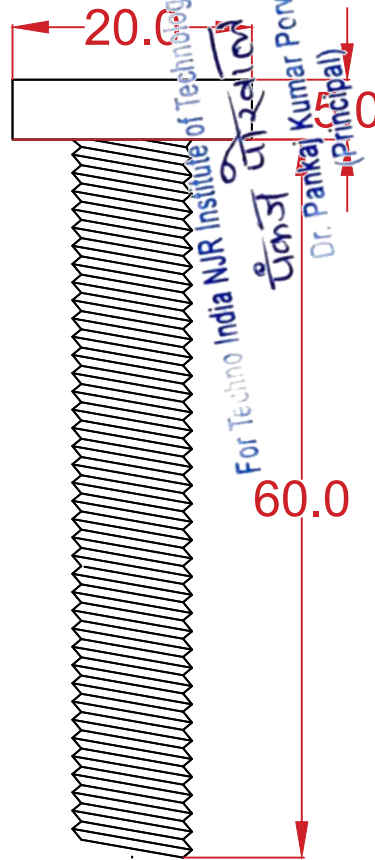


TECHNO INDIA NJR
NUT
DESIGNED BY-ASHISH
PROJECT BY-RAJENDRA SINGH
PART NO.-2

For Techno India-NJR Institute of Technology
 Ujjain
 Dr. Pankaj Kumar Porwal
 (Principal)

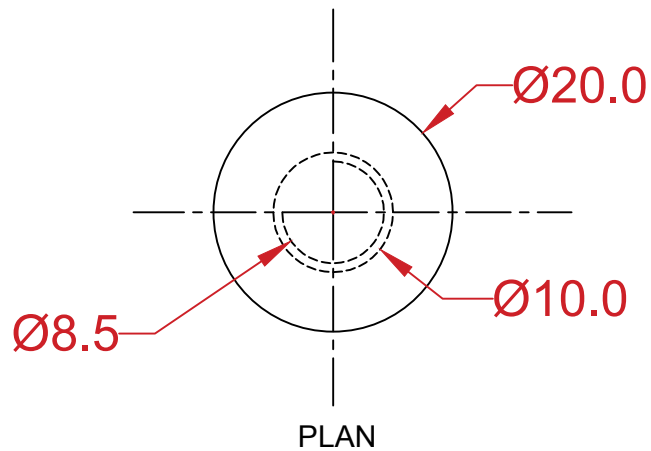


SIDE ELEVATION



FRONT ELEVATION

PITCH OF V-THEARD 1.5MM

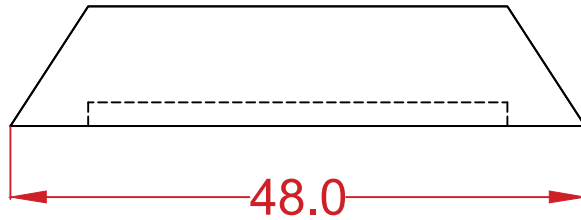


PLAN

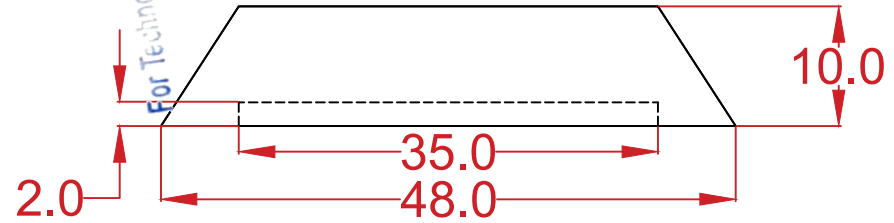
TECHNO INDIA NJR
SCREW
DESIGNED BY-ASHISH
PROJECT BY-RAJENDRA SINGH
PART NO.-3

For Techno India NJR Institute of Technology
 Dr. Pankaj Kumar Porwal (Principal)

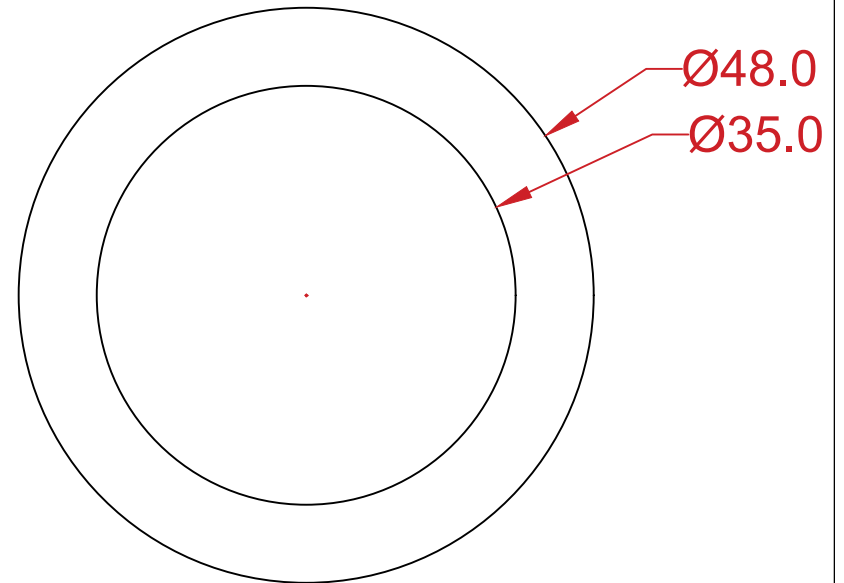
For Techno India NJR Institute of Technology
Techno India
Dr. Pankaj Kumar Porwal
(Principal)



SIDE ELEVATION



FRONT ELEVATION



PLAN

TECHNO INDIA NJR
JACK BASE
DESIGNED BY-ASHISH
PROJECT BY-RAJENDRA SINGH
PART NO.-4

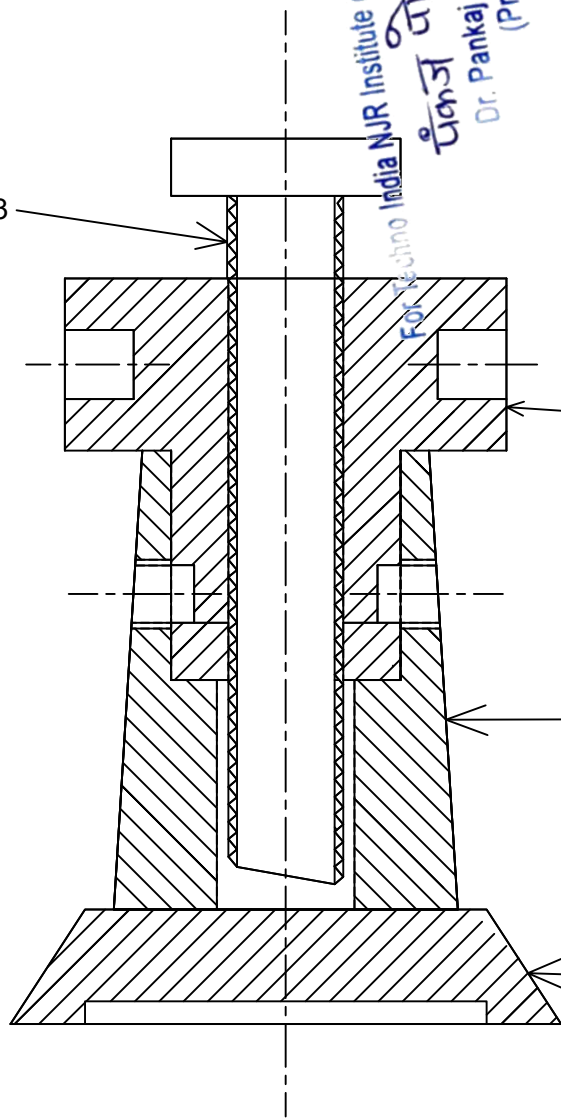
Techno India NJR Institute of Technology
Dr. Pankaj Kumar Porwal
(Principal)

PART NO.-03

PART NO.-02

PART NO.-01

PART NO.-04



ASSEMBLY DRAWING OF SCREW JACK (FULL SECTIONAL VIEW)

TECHNO INDIA NJR
SCREW JACK BODY
DESIGNED BY-ASHISH
PROJECT BY-RAJENDRA SINGH
ASSEMBLY DRAWING