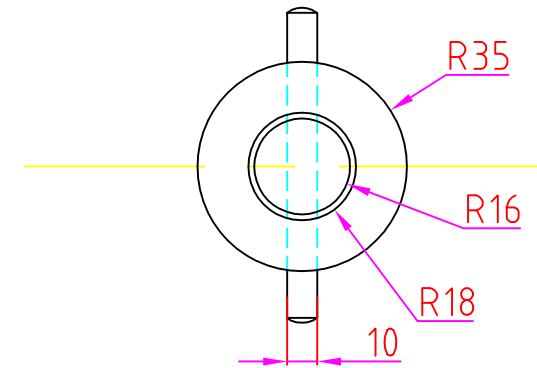
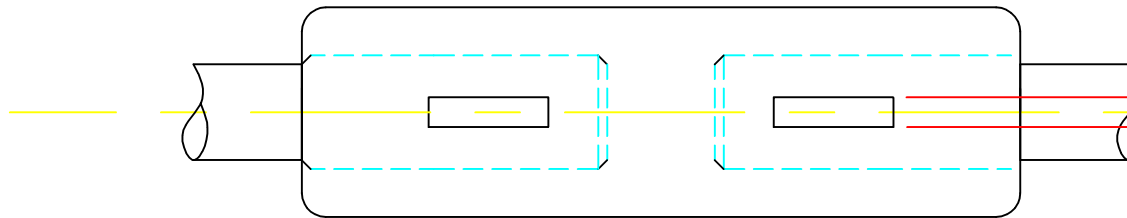


FULL SECTION FRONT VIEW



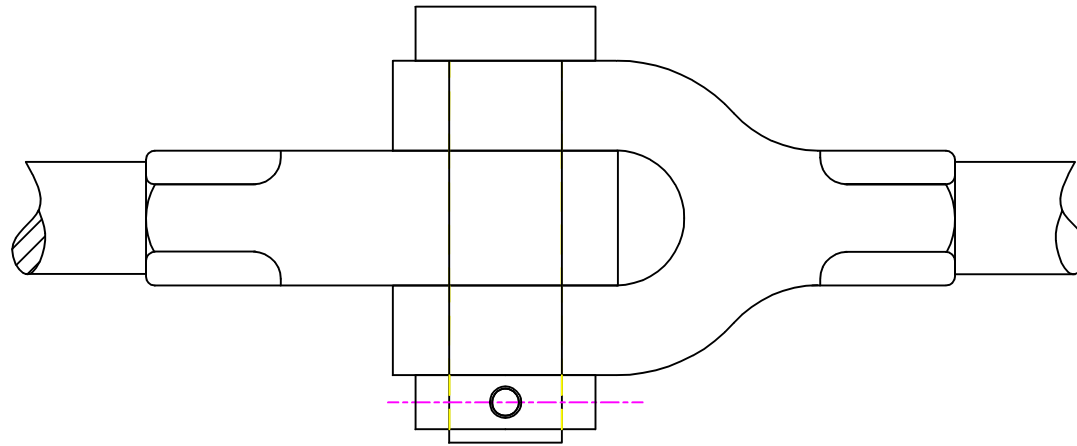
SIDE VIEW



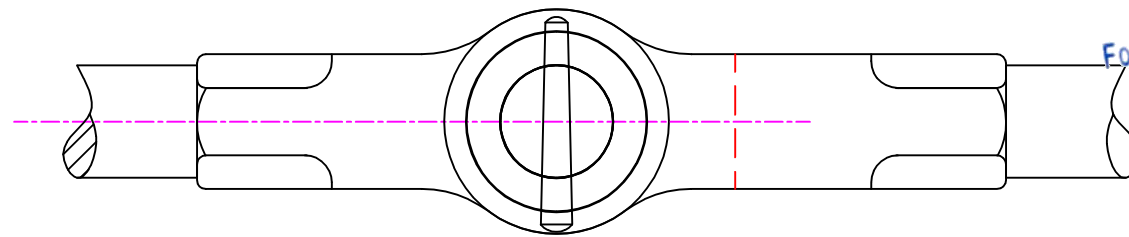
TOP VIEW

For Techno India NJR Institute of Technology  
पंकज पोखवाल  
Dr. Pankaj Kumar Porwal  
(Principal)

ASSEMBLY OF SLEEVE AND COTTER JOINT IN FIRST ANGLE PROJECTION SYSTEM

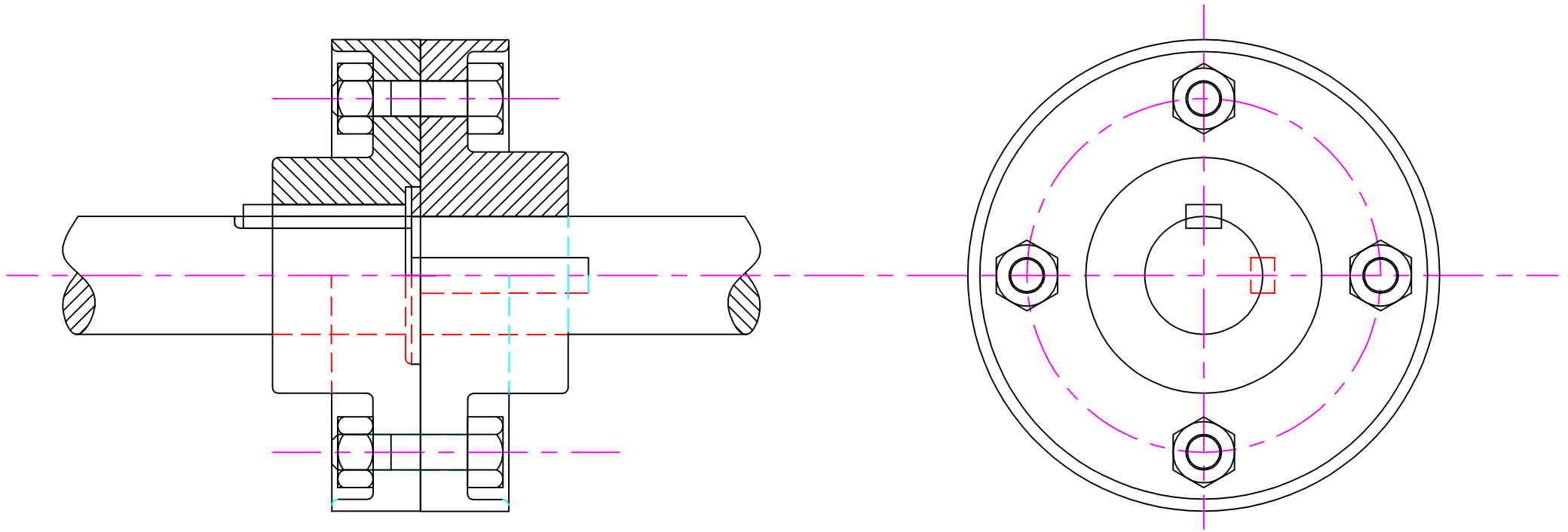


FRONT VIEW



TOP VIEW

For Techno India NJR Institute of Technology  
पंकज पोरवाल  
Dr. Pankaj Kumar Porwal  
(Principal)

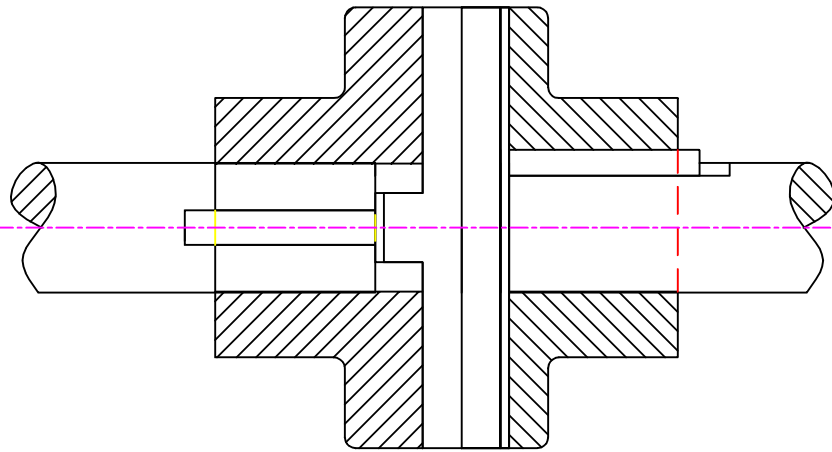


HALF SECTIONAL FRONT VIEW

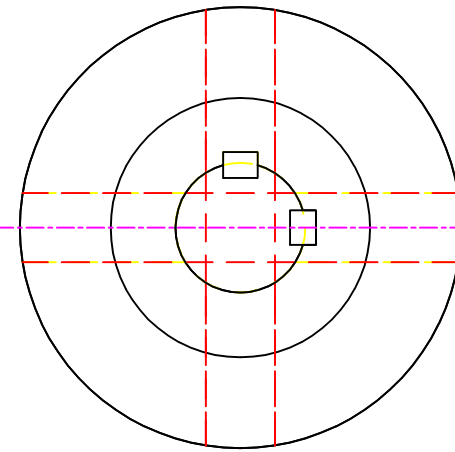
LEFT HAND SIDE VIEW

ASSEMBLY DRAWING OF PROTECTED TYPE FLANGE COUPLING

For Techno India NJR Institute of Technology  
Dr. Pankaj Kumar Porwal  
(Principal)

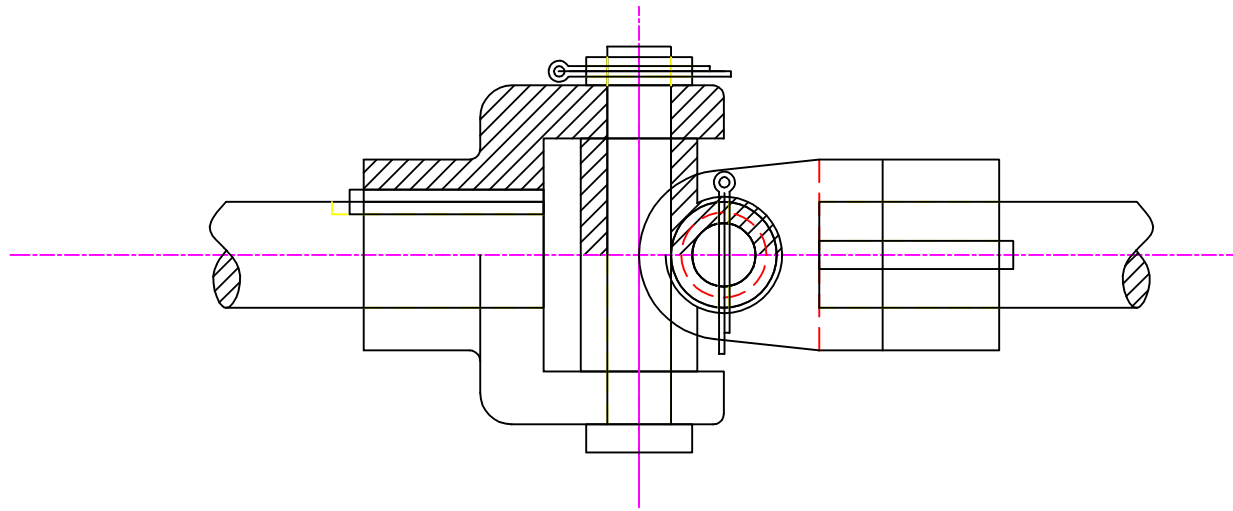


Full Section front view

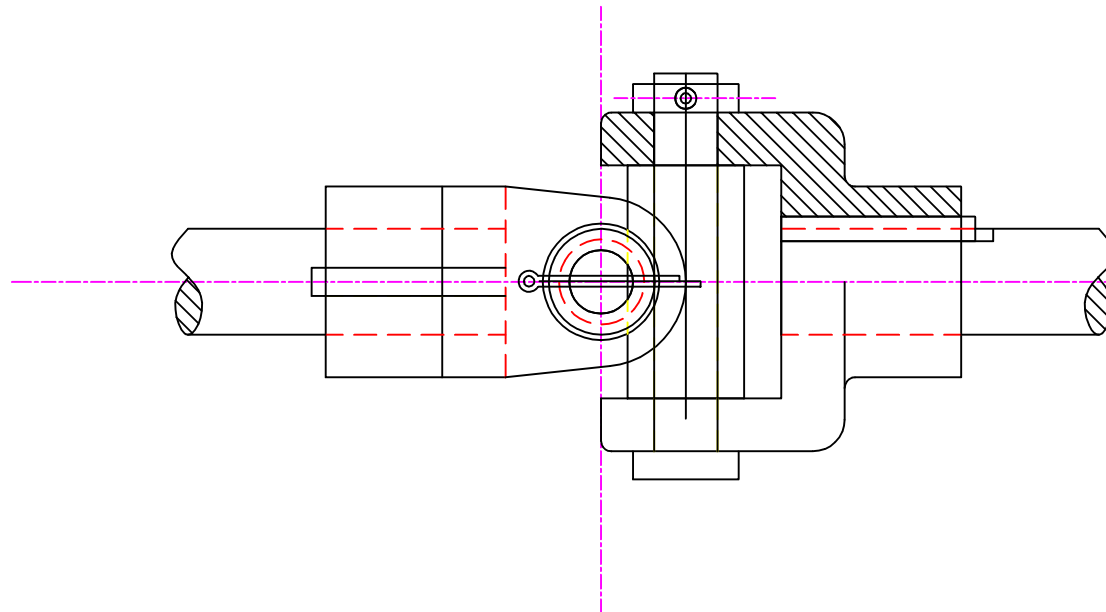


Side view

For Techno-India NJR Institute of Technology  
पंकज पोखवाल  
Dr. Pankaj Kumar Porwal  
(Principal)

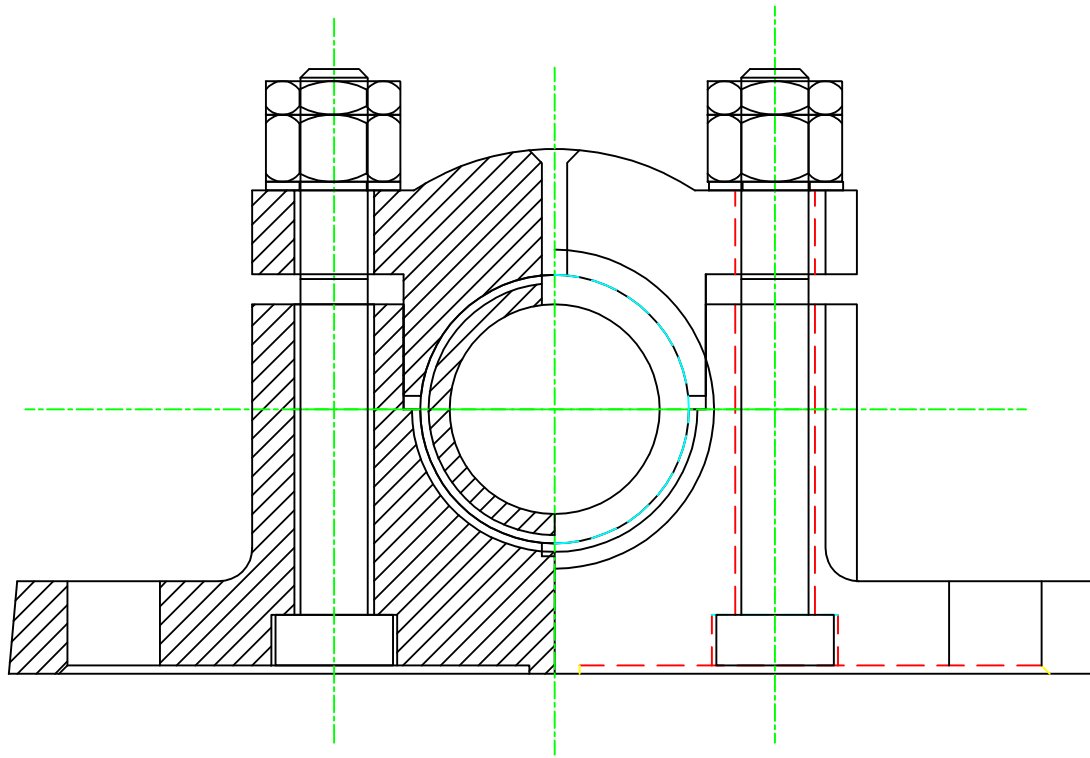


FRONT VIEW

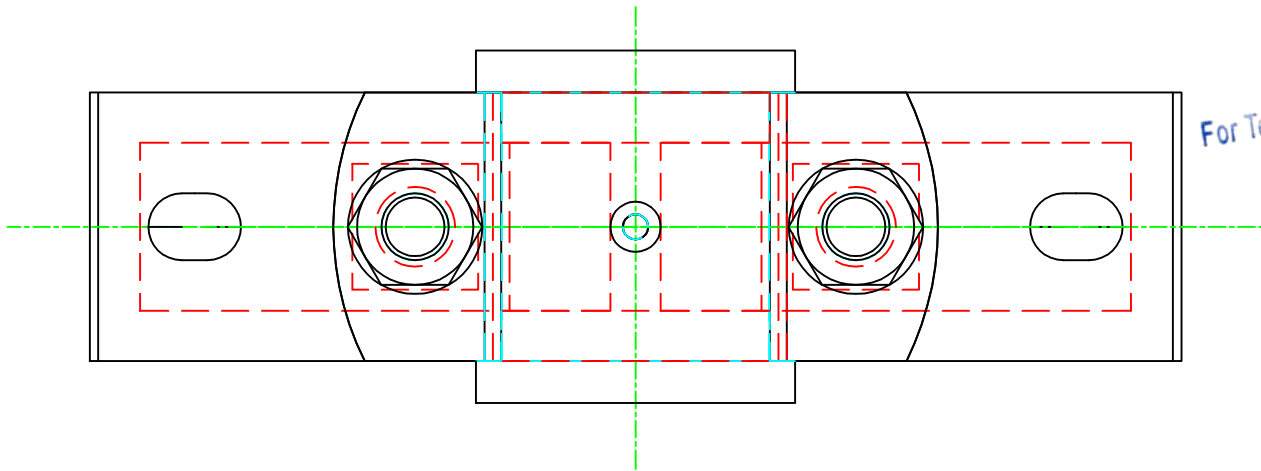


TOP VIEW

For Techno India NJR Institute of Technology  
पंकज पौरवाल  
Dr. Pankaj Kumar Porwal  
(Principal)

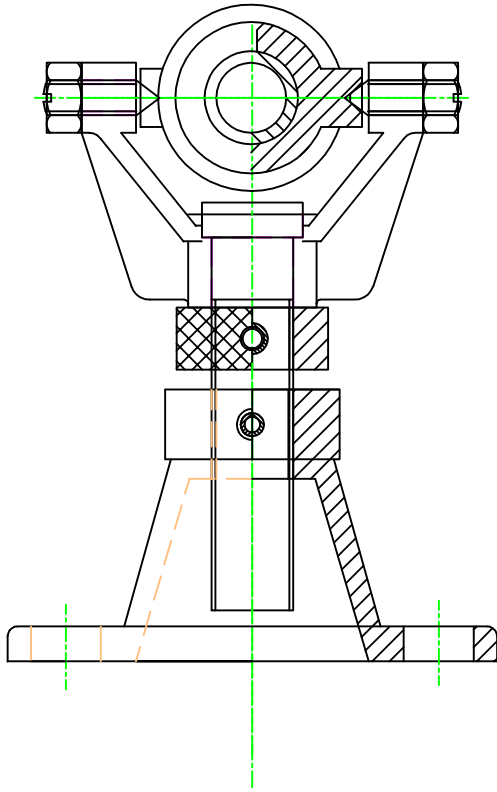


Half Section Front View

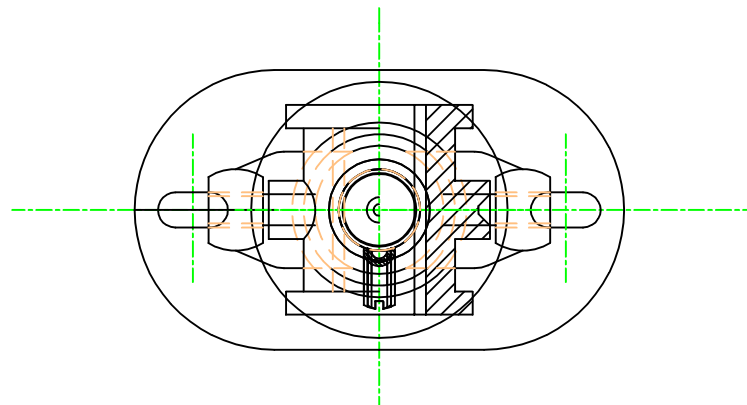


Top View

For Techno India NJR Institute of Technology  
पंकज पोखवाल  
Dr. Pankaj Kumar Porwal  
(Principal)

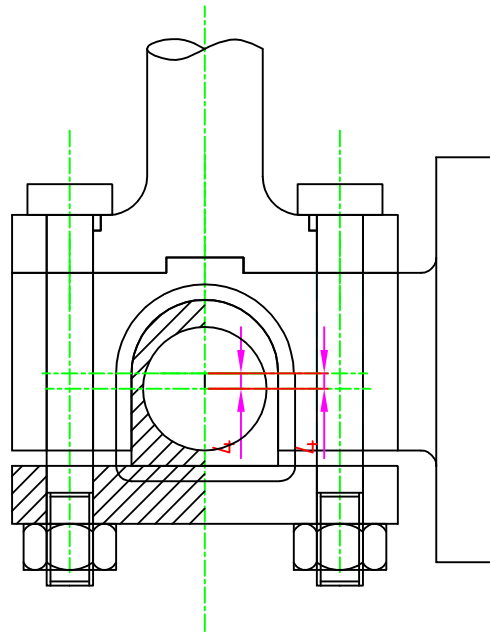


Half section front view

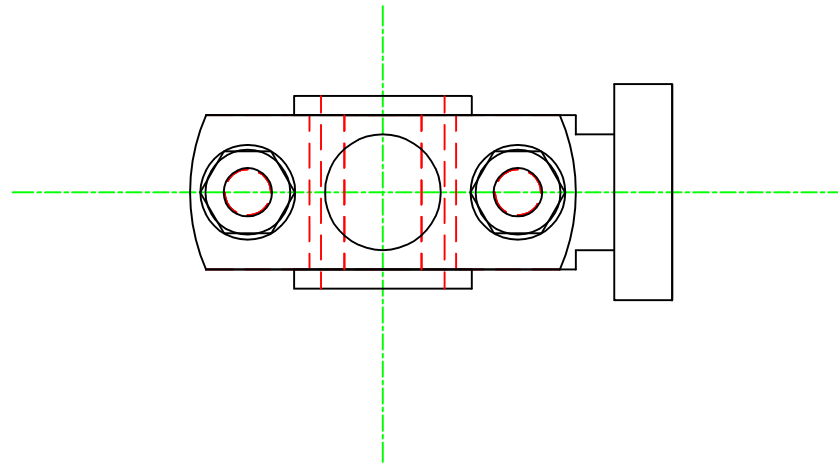


Top view

For Techno India NJR Institute of Technology  
पंकज पोखवाल  
Dr. Pankaj Kumar Porwal  
(Principal)



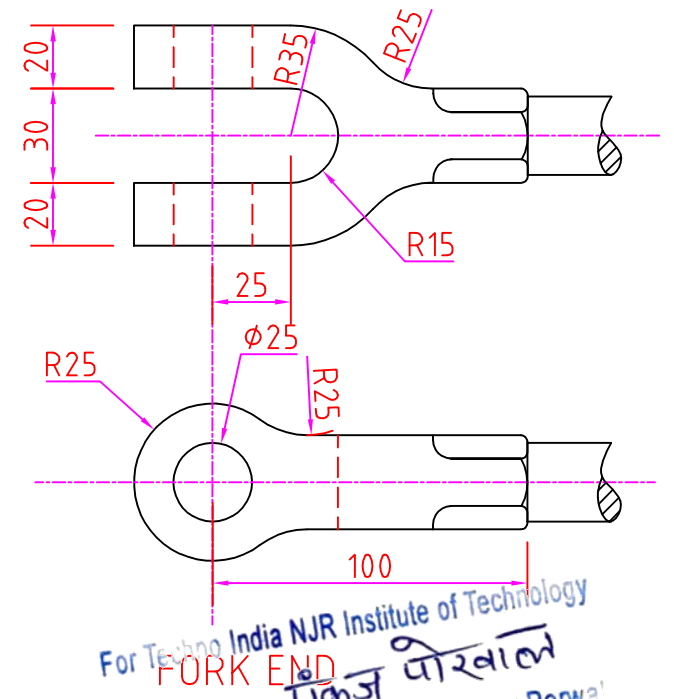
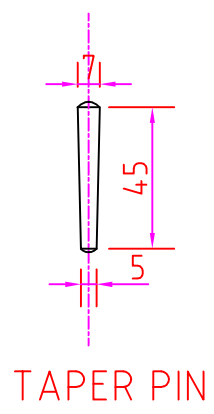
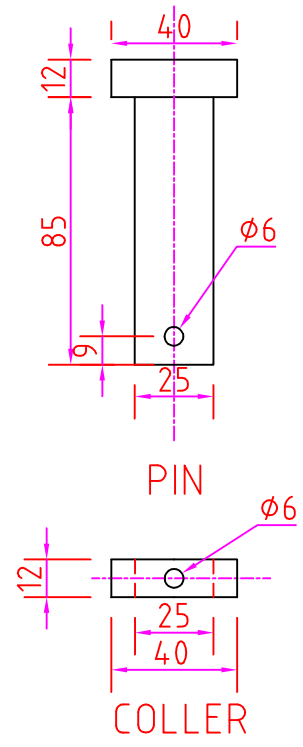
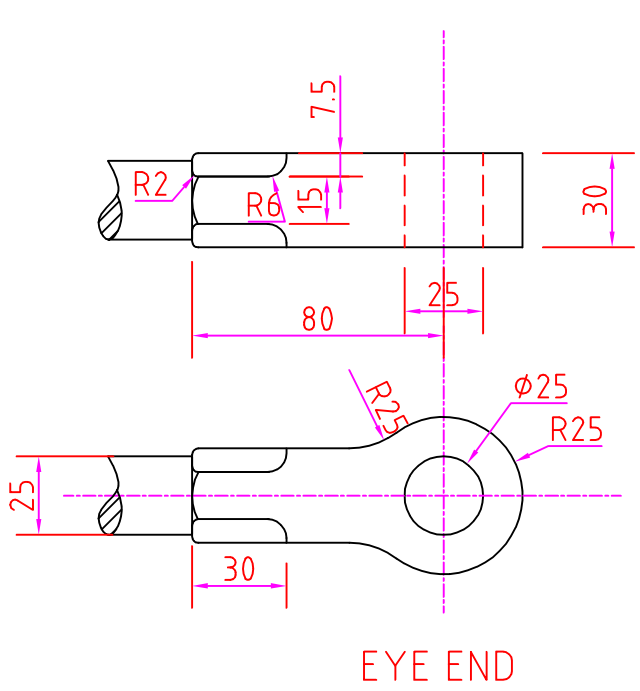
FRONT VIEW



TOP VIEW

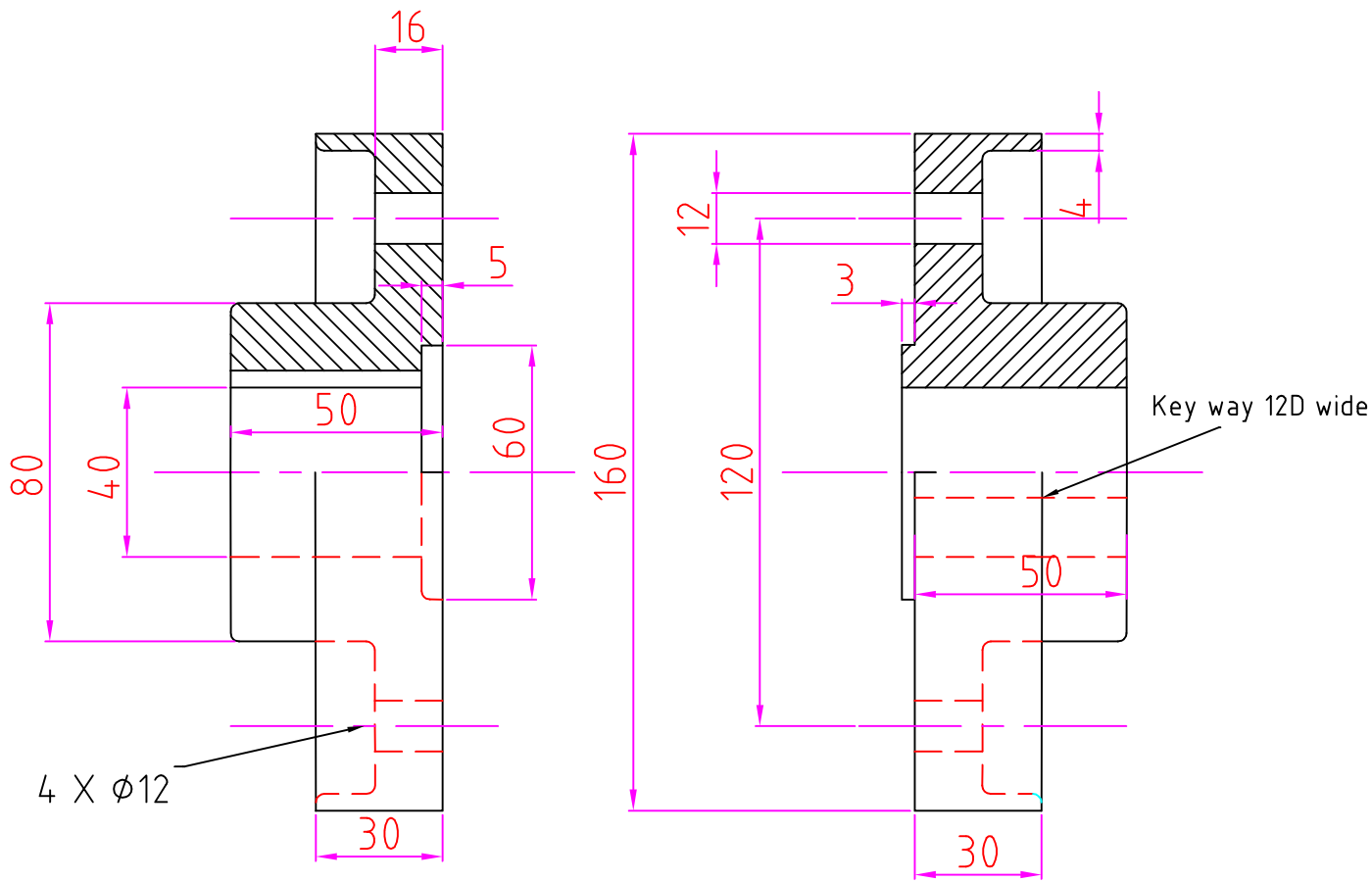
For Techno India NJR Institute of Technology  
पंकज पौरवाल  
Dr. Pankaj Kumar Porwal  
(Principal)



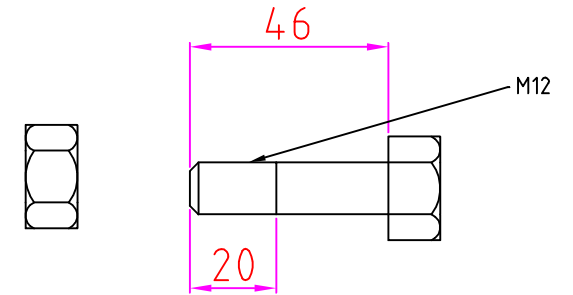


For Techno India NJR Institute of Technology  
 पंकज पौरवाल  
 Dr. Pankaj Kumar Porwal  
 (Principal)

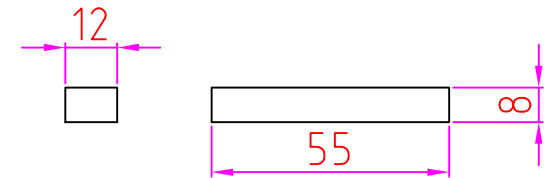
DRAW THE ASSEMBLED FRONT VIEW AND TOP VIEW OF GIVEN JOINT



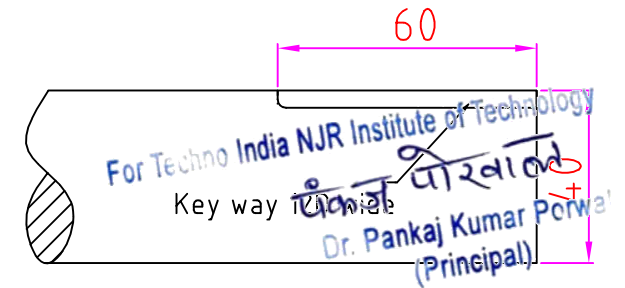
FLAHGES (1 SET -C.I)



NUT & BOLT (4 NOS-M.S)

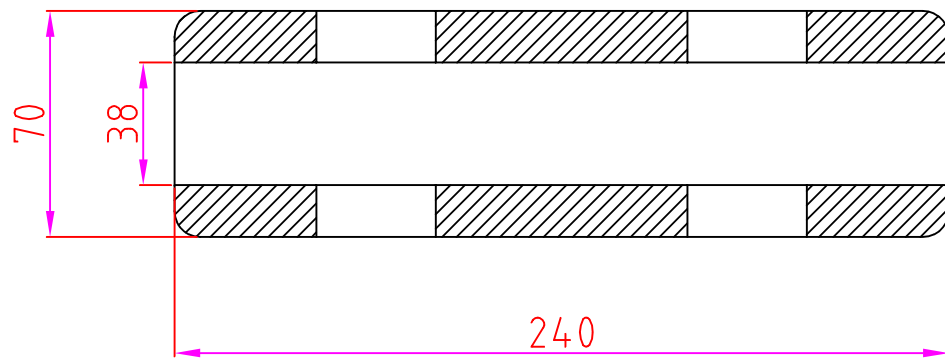


TAPER KEY (2 NOS-M.S)

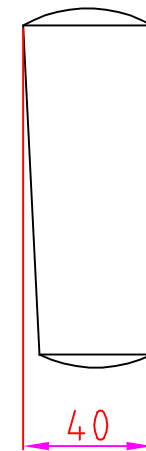


SHAFT END (2 NOS-STEEL)

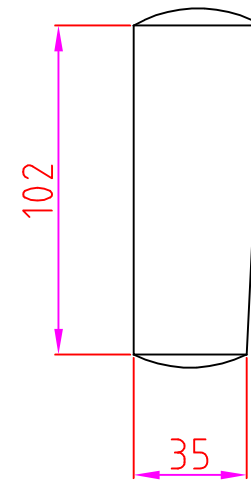
DRAW FRONT AND TOP VIEW OF ASSEMBLY OF GIVEN COUPLING



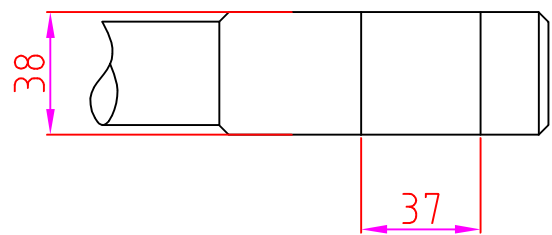
SLEEVE



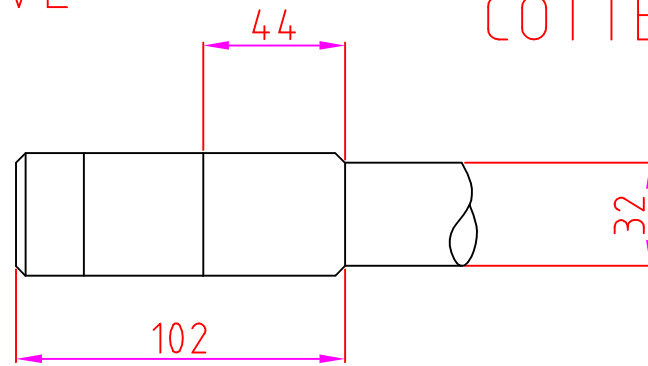
COTTER-1



COTTER-2



ROD-1

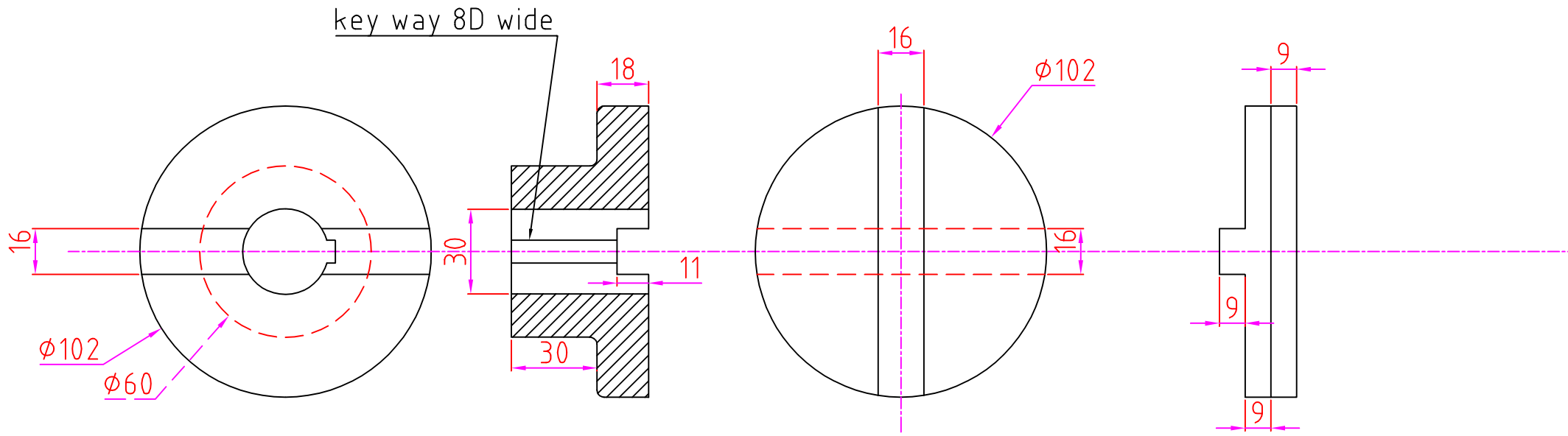


ROD-2

For Techno India NJR Institute of Technology  
 पंकज पोखवाल  
 Dr. Pankaj Kumar Porwal  
 (Principal)

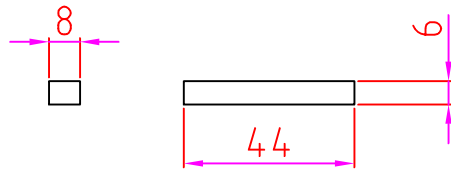
PARTS DETAIL OF SLEEVE AND COTTER JOINT

DRAW ASSEMBLED FULL SECTIONAL FRONT VIEW,  
 SIDE VIEW AND TOP VIEW OF THE GIVEN JOINT

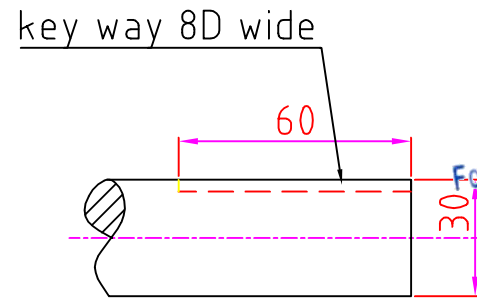


FLANGE (2 NOS STEEL)

DISC (1 NO STEEL)



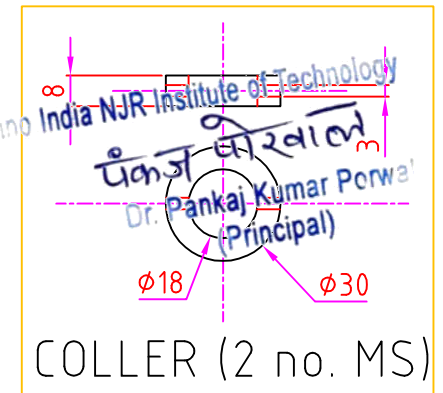
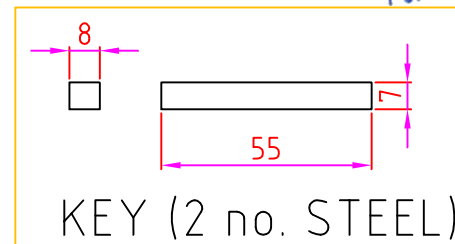
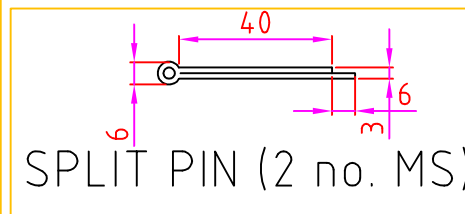
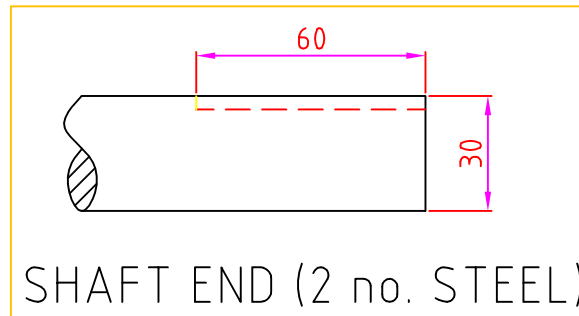
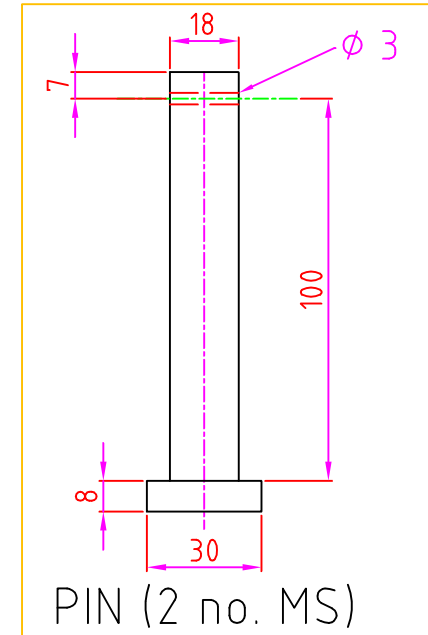
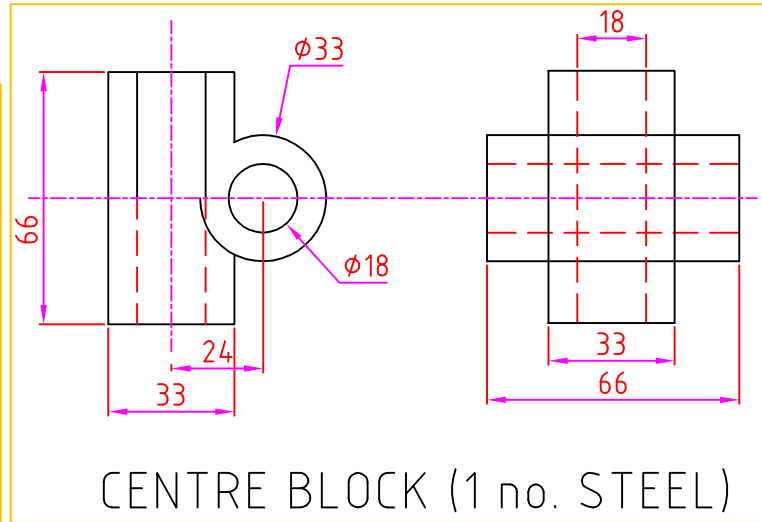
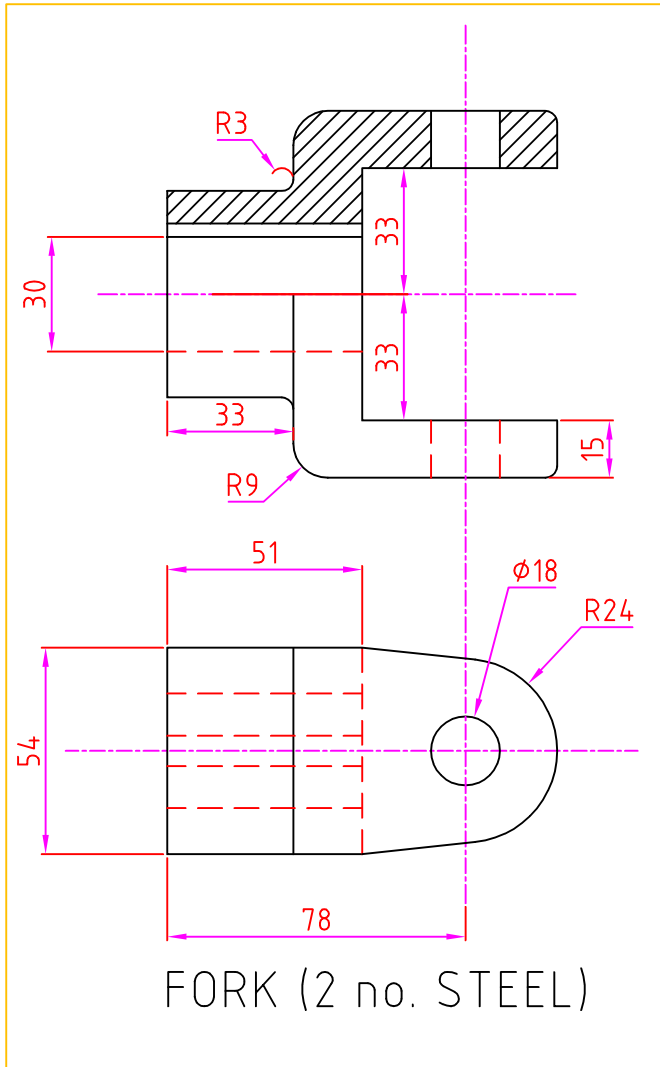
KEY (2 NOS STEEL)



SHAFT END (2 NO STEEL)

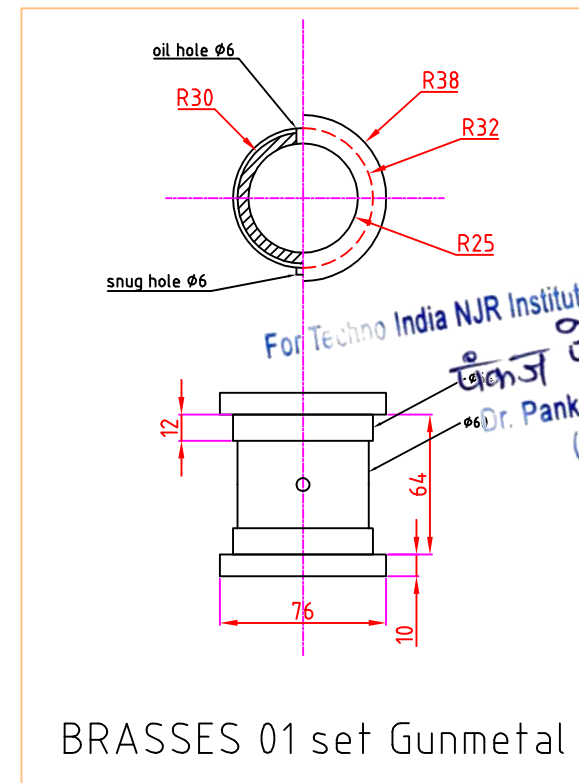
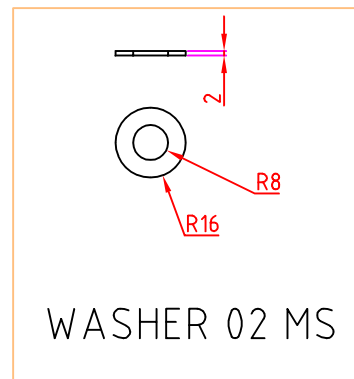
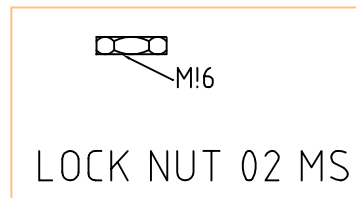
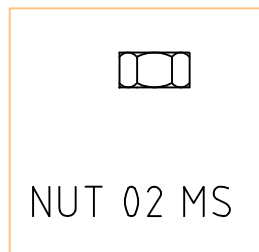
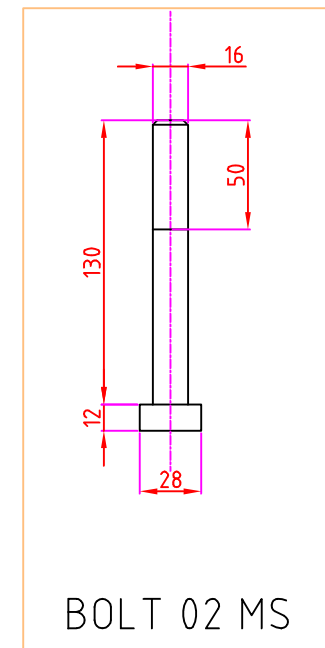
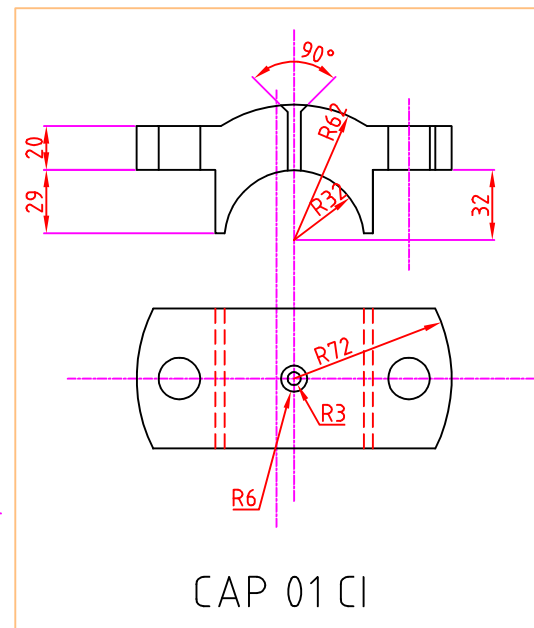
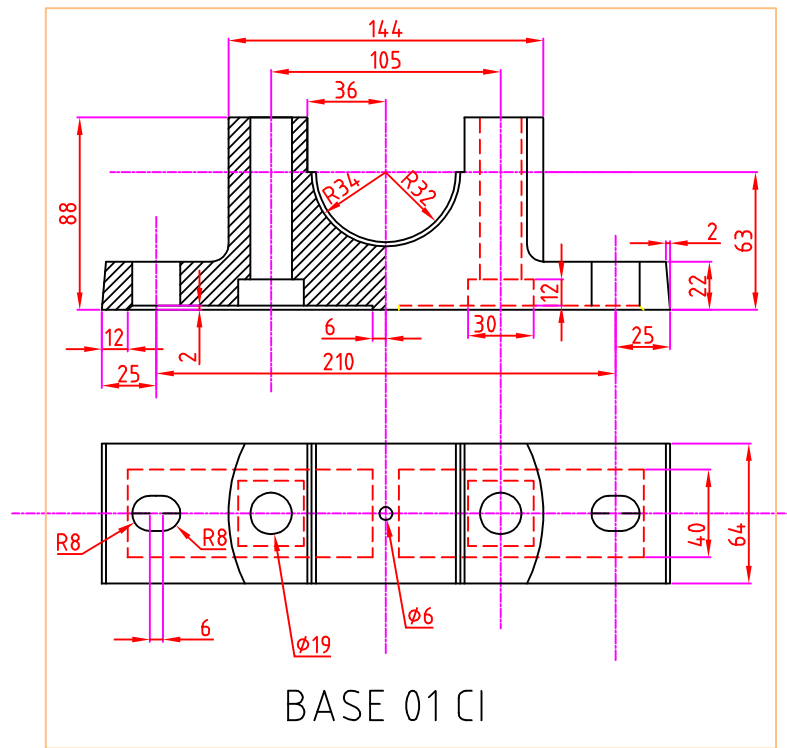
For Techno India NJR Institute of Technology  
 पंकज पीरवाल  
 Dr. Pankaj Kumar Porwal  
 (Principal)

Df\RAW FULL SECTION FRONT VIEW AND SIDE VIEW OF GIVEN COUPLING



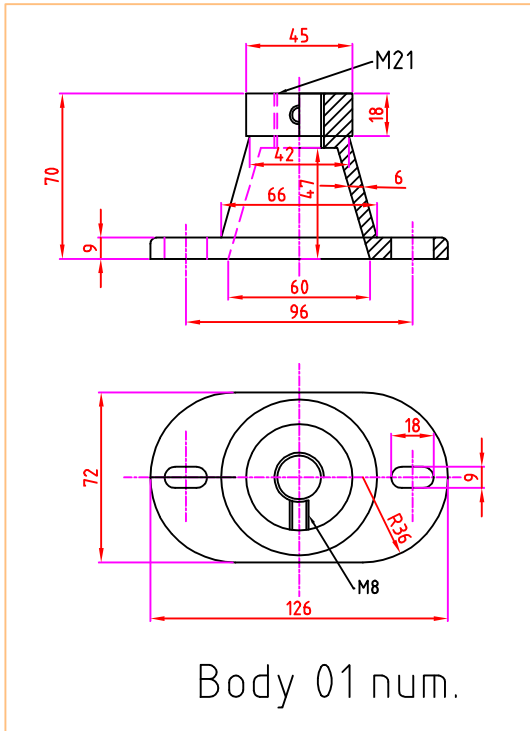
For Techno India NJR Institute of Technology  
 पंकज कुमार पुरा  
 Dr. Pankaj Kumar Pura  
 (Principal)

DRAW FRONT AND TOP VIEW OF GIVEN JOINT

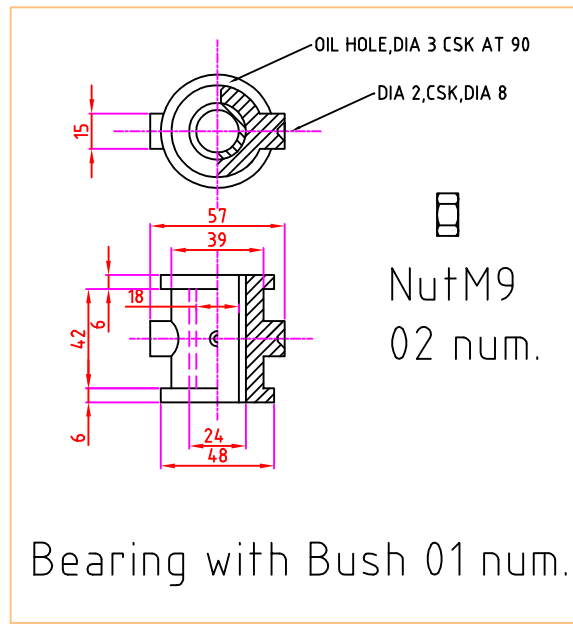


DRAW ASSEMBLED HALF SECTIONAL FRONT AND TOP VIEW OF GIVEN BEARING

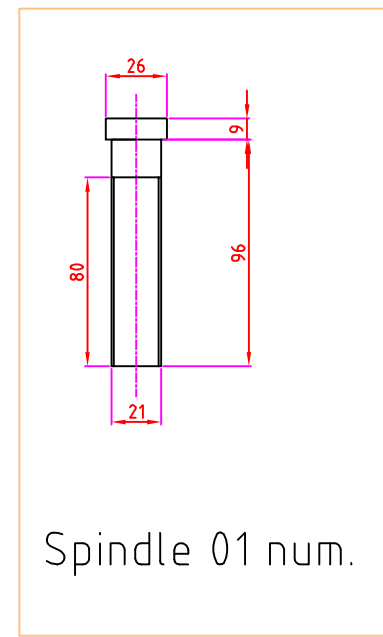
For Techno India NJR Institute of Technology  
 पंकज पीरवाल  
 Dr. Pankaj Kumar Porwal  
 (Principal)



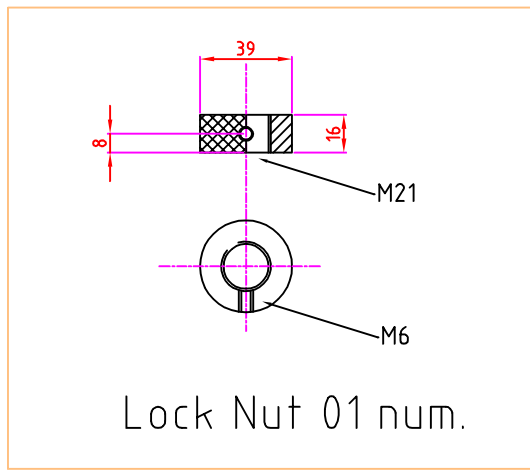
Body 01 num.



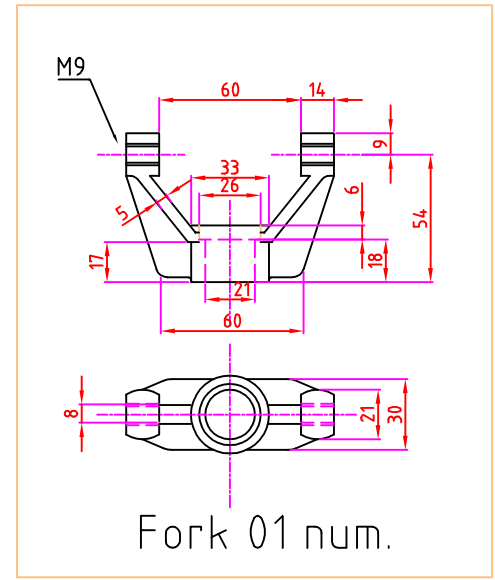
Bearing with Bush 01 num.



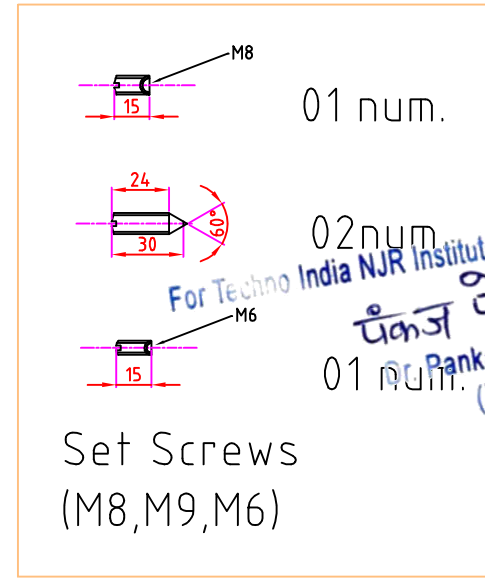
Spindle 01 num.



Lock Nut 01 num.



Fork 01 num.



Set Screws (M8,M9,M6)

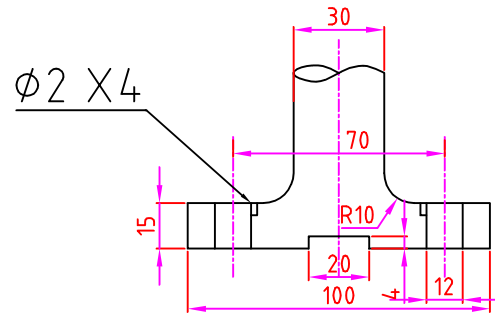
01 num.

02 num.

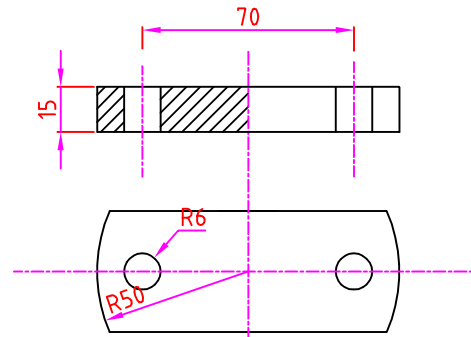
01 num.

For Techno India NJR Institute of Technology  
 पंकज पीरवाल  
 Pankaj Kumar Porwal  
 (Principal)

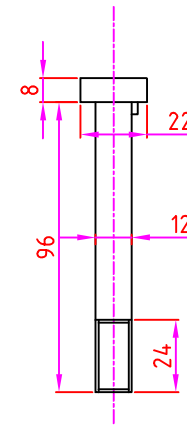
Draw its half section front view and top view



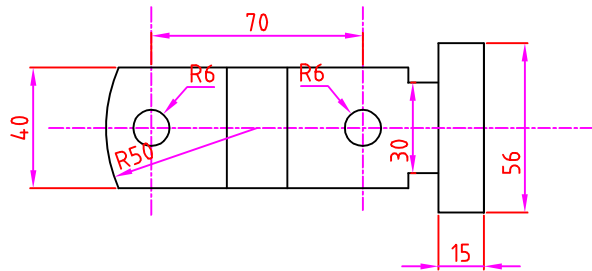
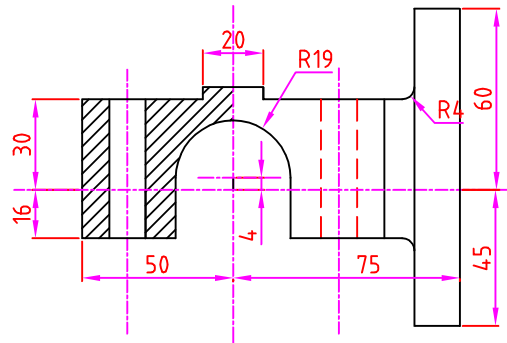
rod end (01 no)



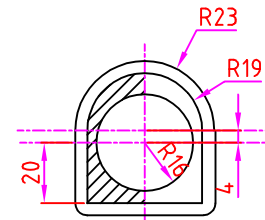
cover plate (01 no)



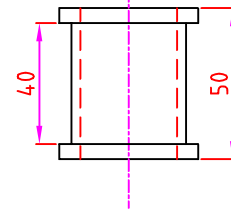
bolt (02 nos)



body (01 no)



brasses (01 no)



nut M12 (02 nos.)

For Techno India NJR Institute of Technology  
 पंकज पौरवाल  
 Dr. Pankaj Kumar Porwal  
 (Principal)

DRAW FRONT AND TOP VIEW OF ASSEMBLY