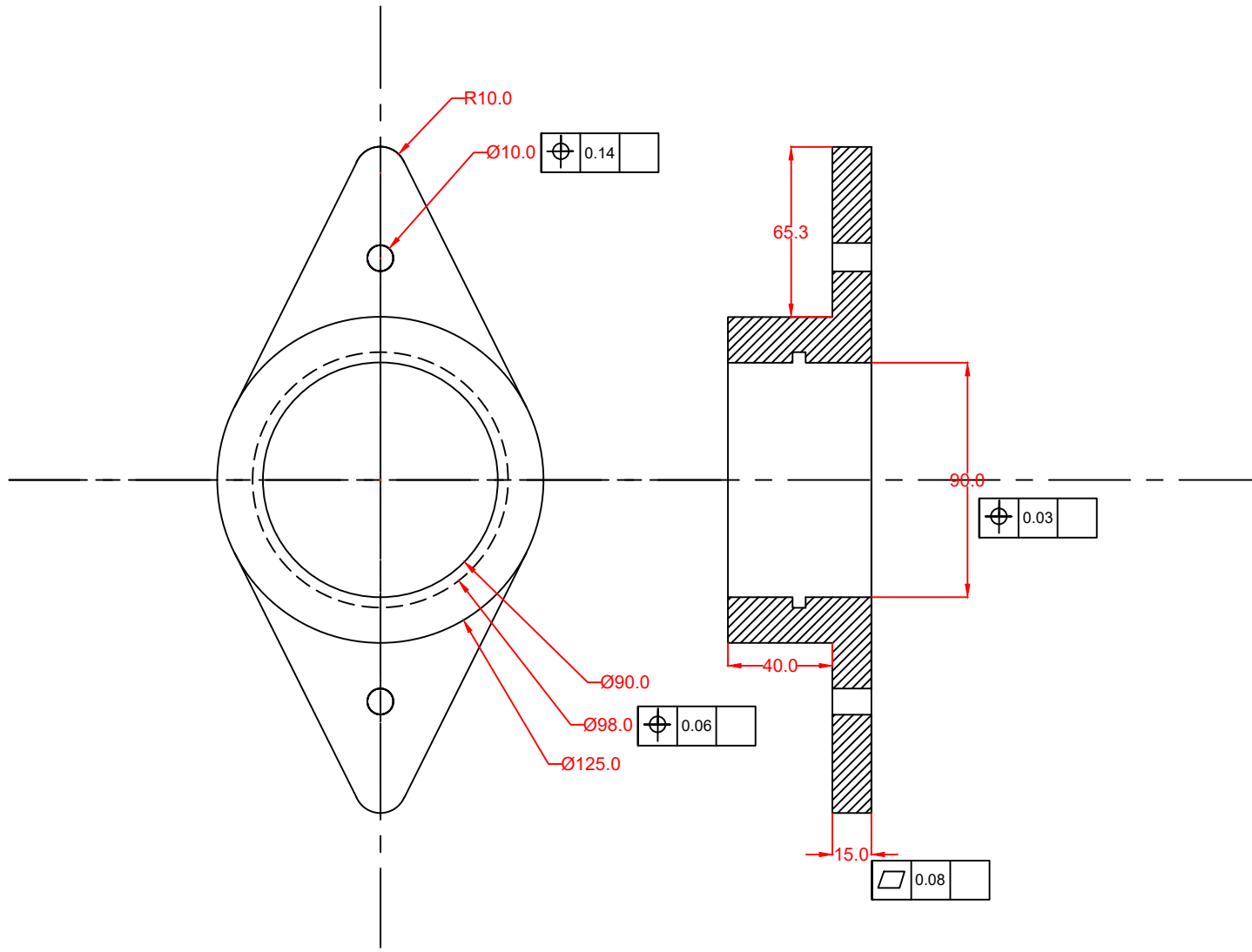
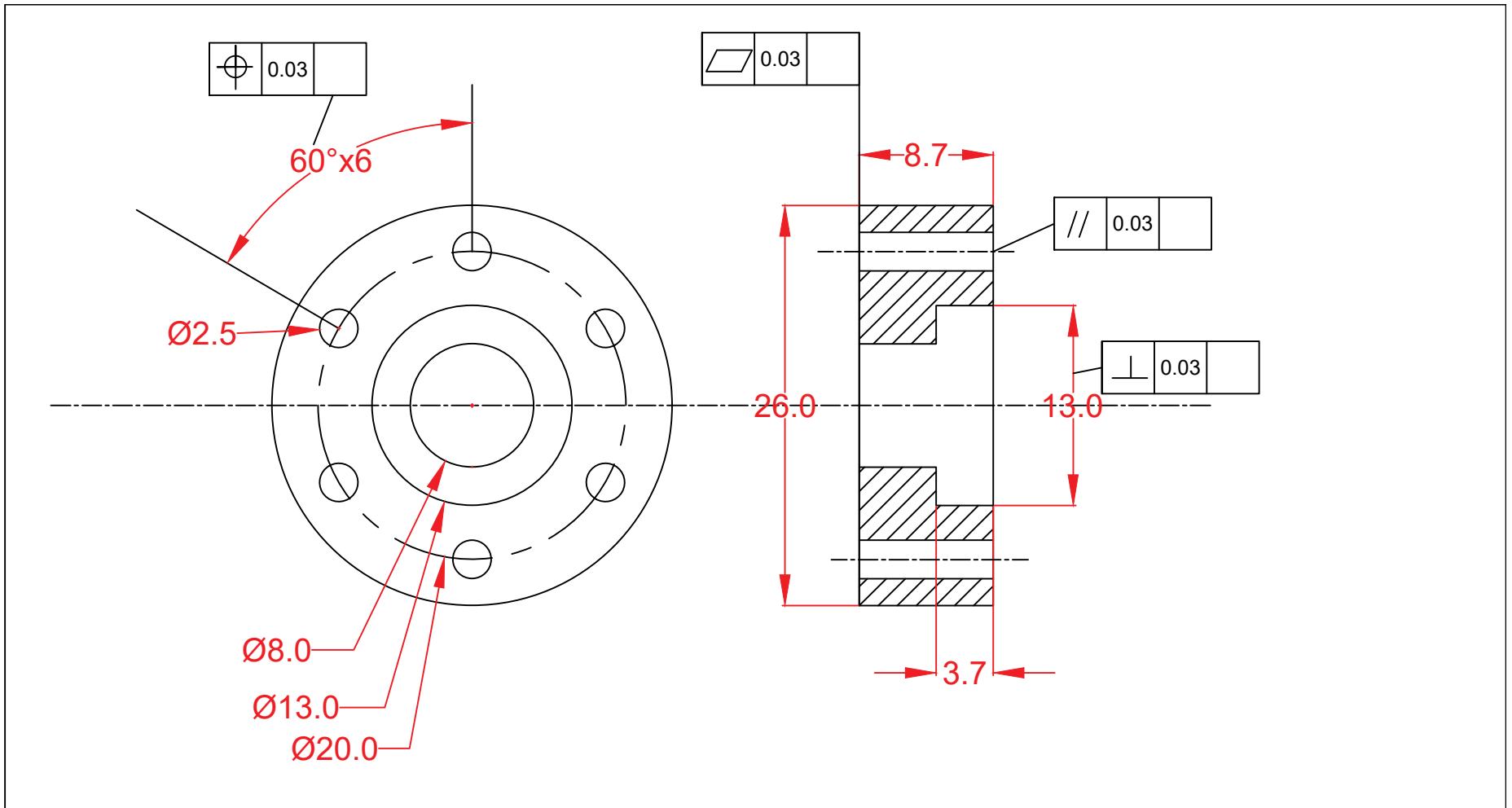


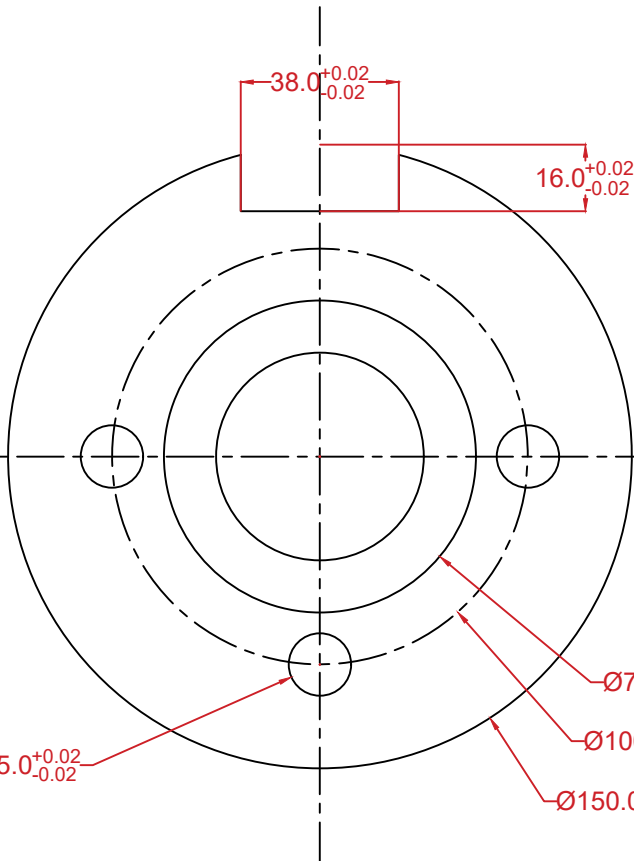
For Techno India NJR Institute of Technology
 पंकज पोरवाल
 Dr. Pankaj Kumar Porwal
 (Principal)





\oplus 0.1

$\varnothing 15.0^{+0.02}_{-0.02}$

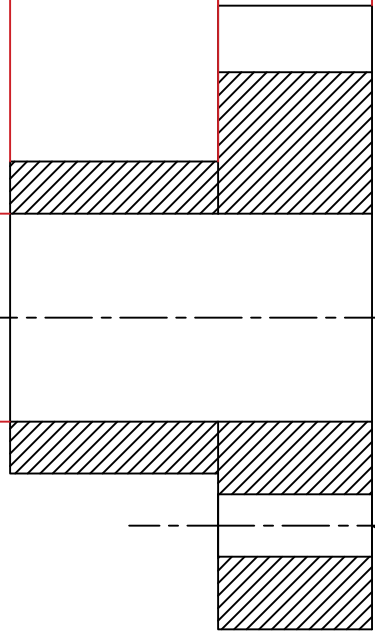


50.0^{+0.02}_{-0.02}

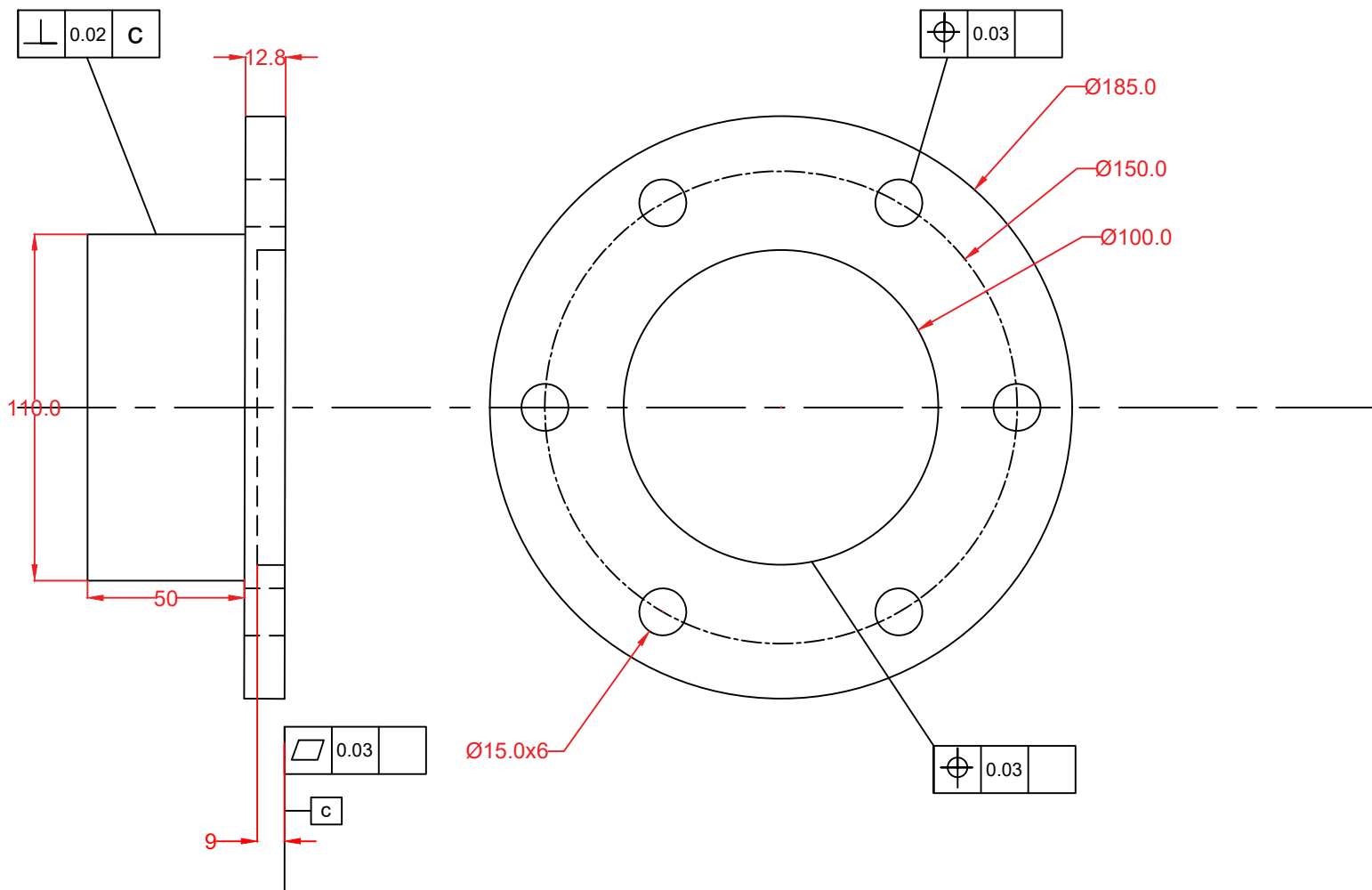
\perp 0.1

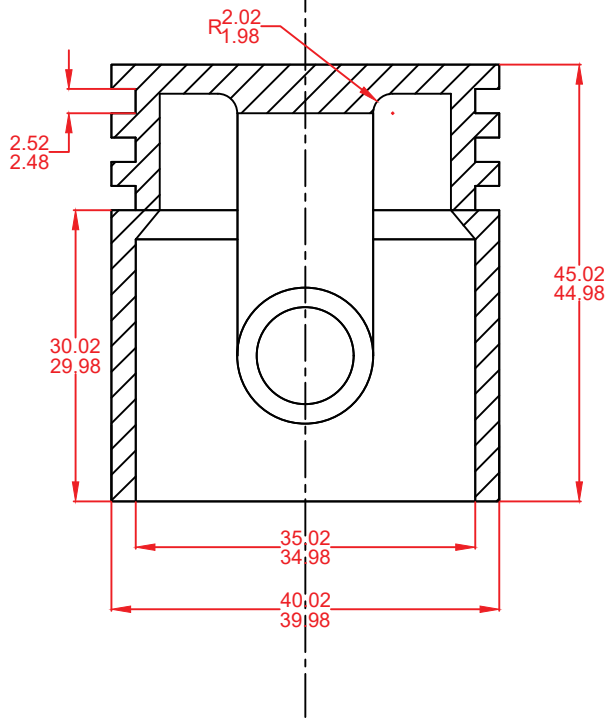
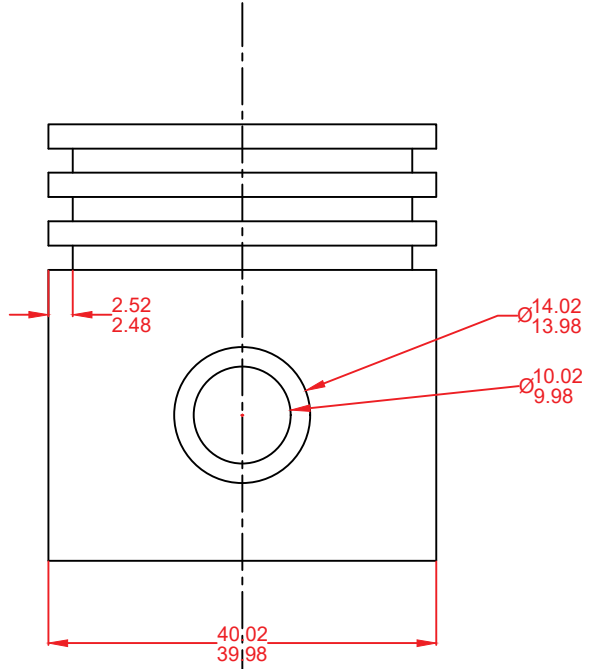
50.0^{+0.02}_{-0.02}

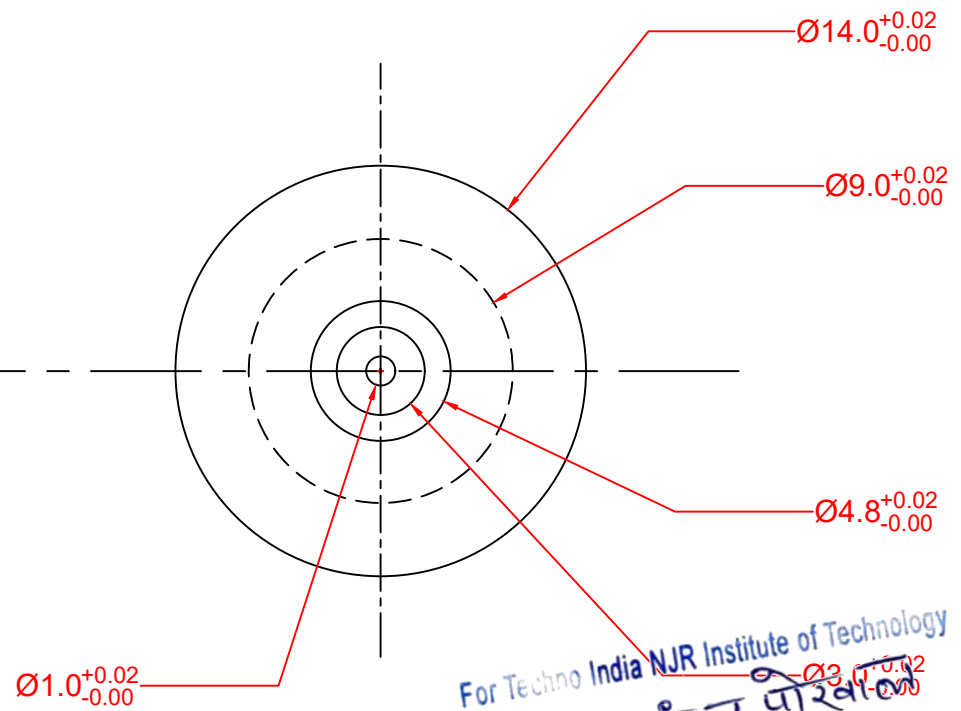
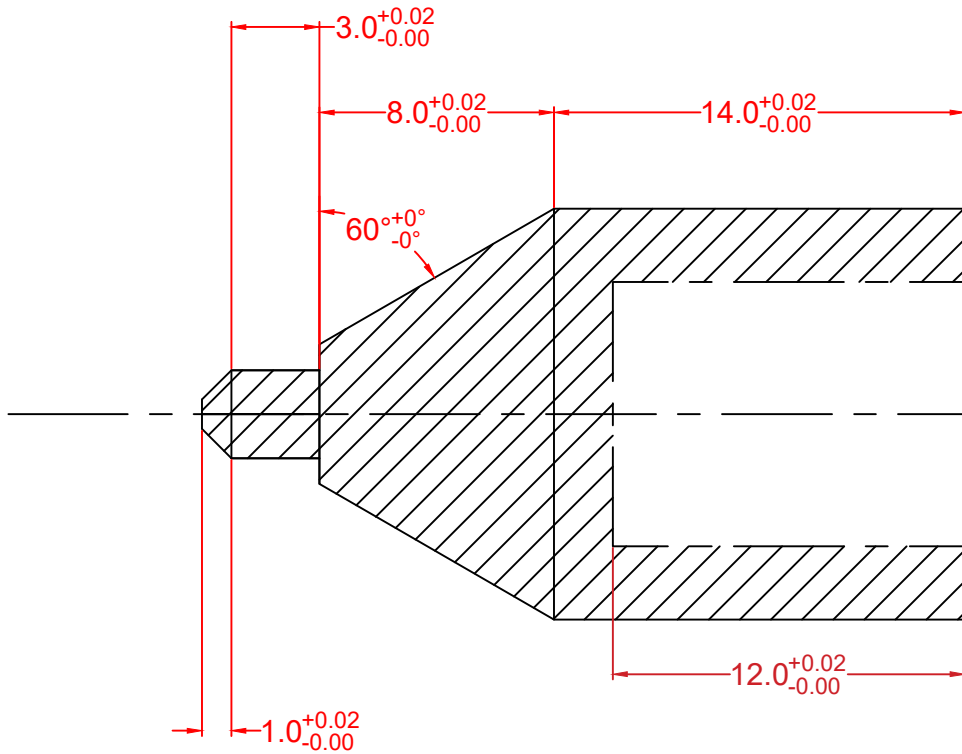
37.0^{+0.02}_{-0.02}



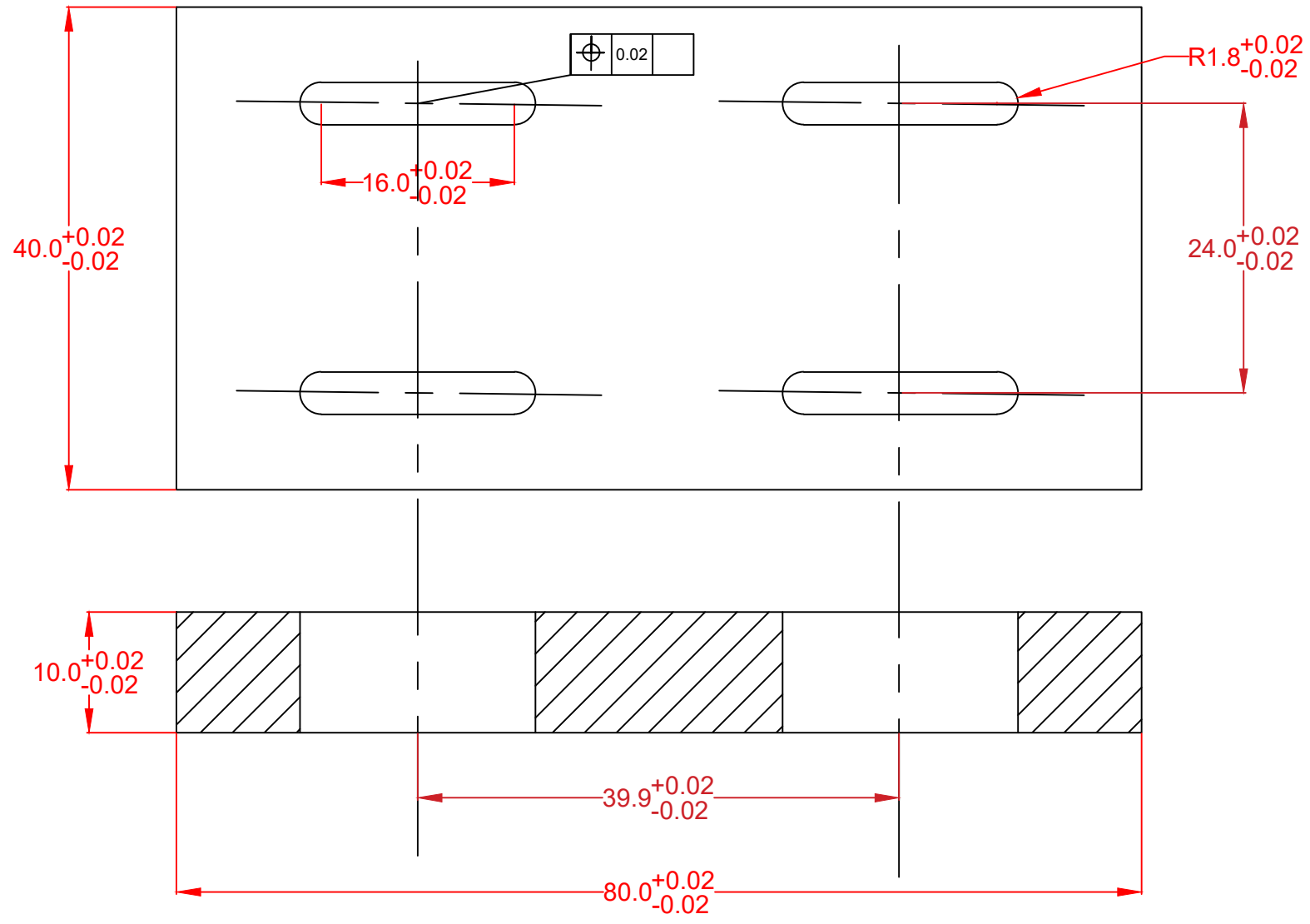
For Techno India NJR Institute of Technology
पंकज पोरवाल
Dr. Pankaj Kumar Porwal
(Principal)

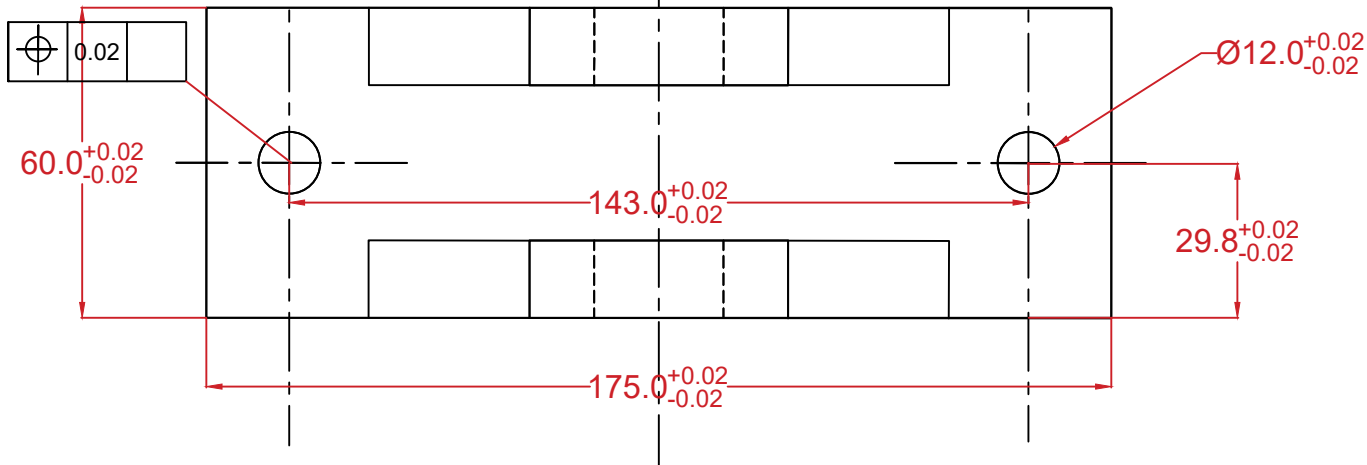
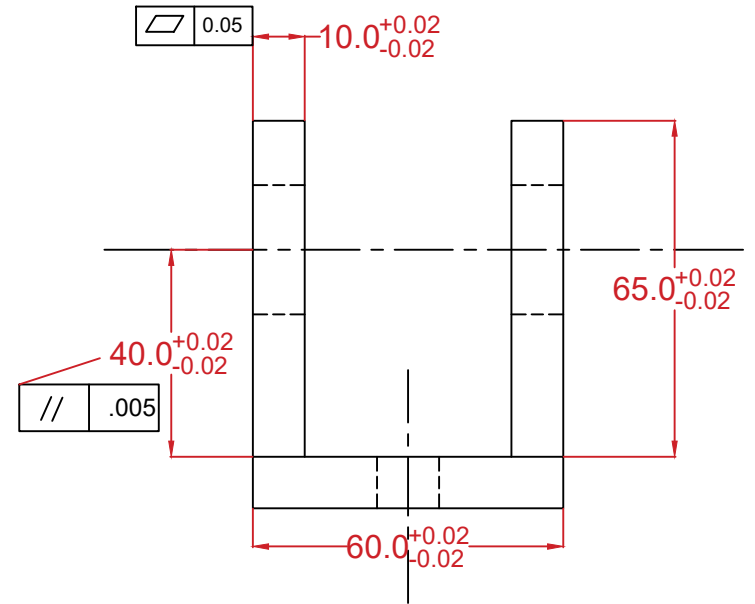
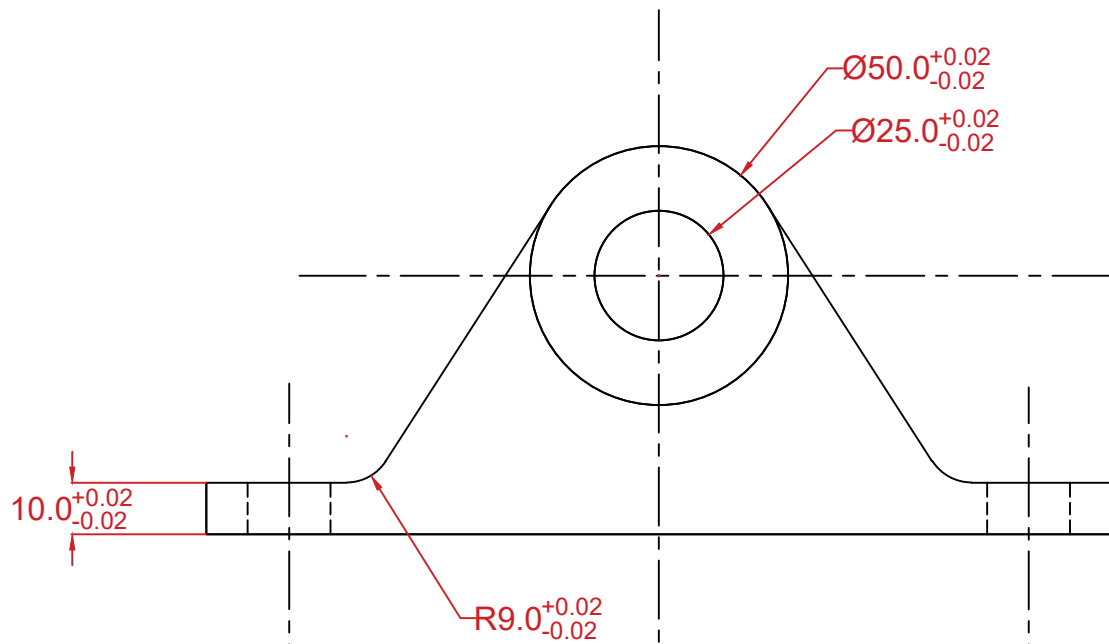






For Techno India NJR Institute of Technology
 पंकज पोखरेल
 Dr. Pankaj Kumar Porwal
 (Principal)





For Techno India NJR Institute of Technology
 पंकज पोरवाल
 Dr. Pankaj Kumar Porwal
 (Principal)