



TECHNO INDIA NJR
INSTITUTE OF TECHNOLOGY

CNC LAB

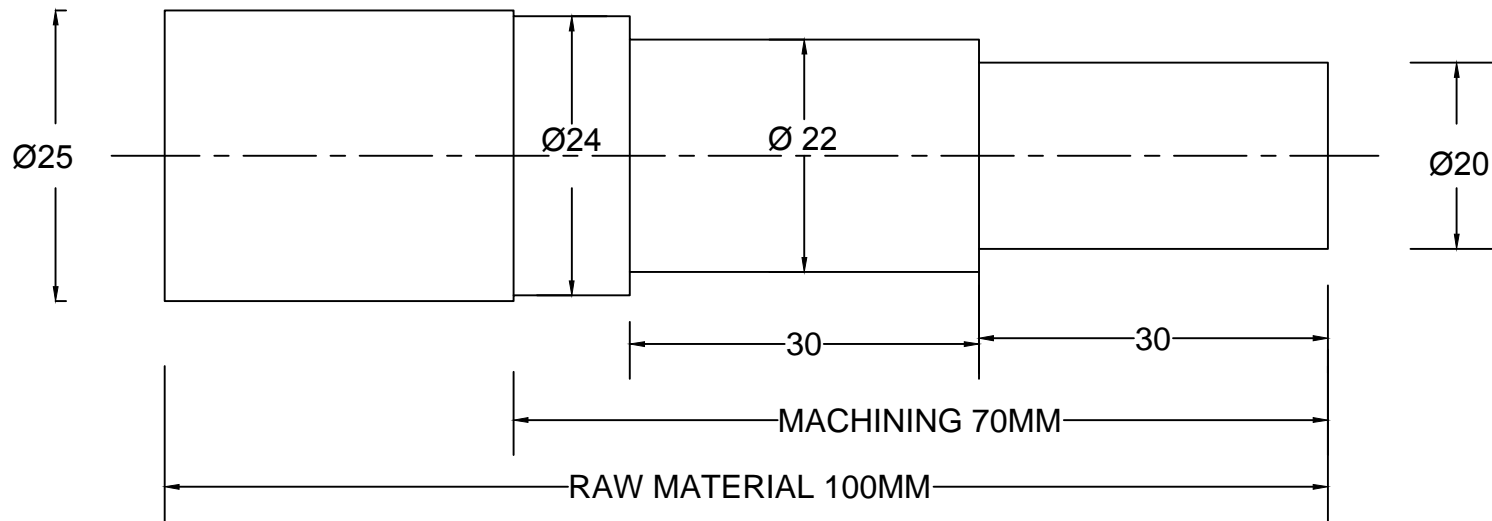
Machine software: - Cut Viewer Turn V3.2

MECHANICAL ENGINEERING DEPARTMENT


Batch 2016-17

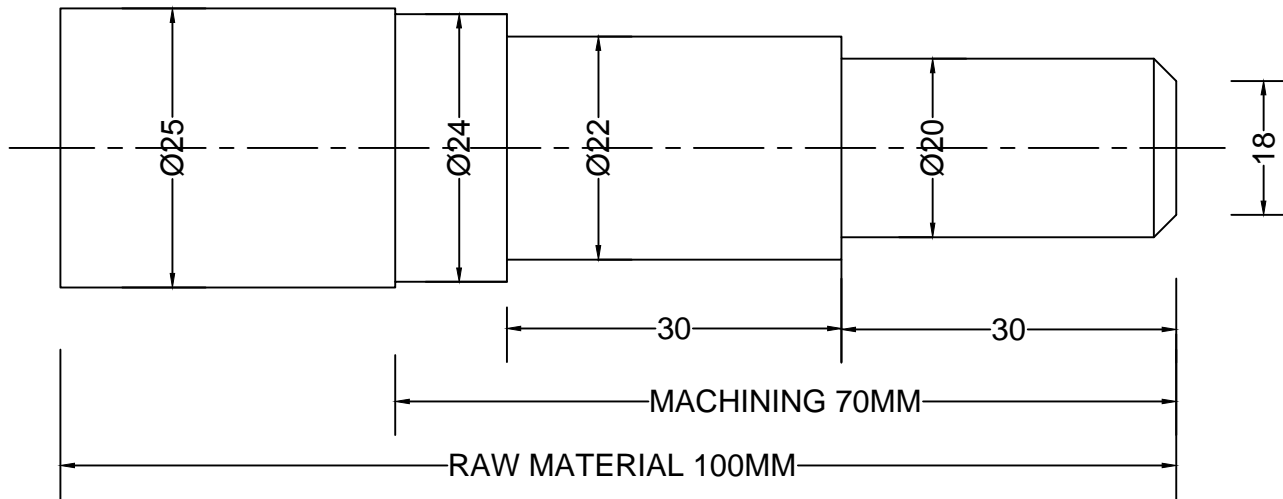
For Techno India NJR Institute of Technology
पंकज पौरवाल
Dr. Pankaj Kumar Porwal
(Principal)

PREPARED BY: - RAJENDRA LOHAR




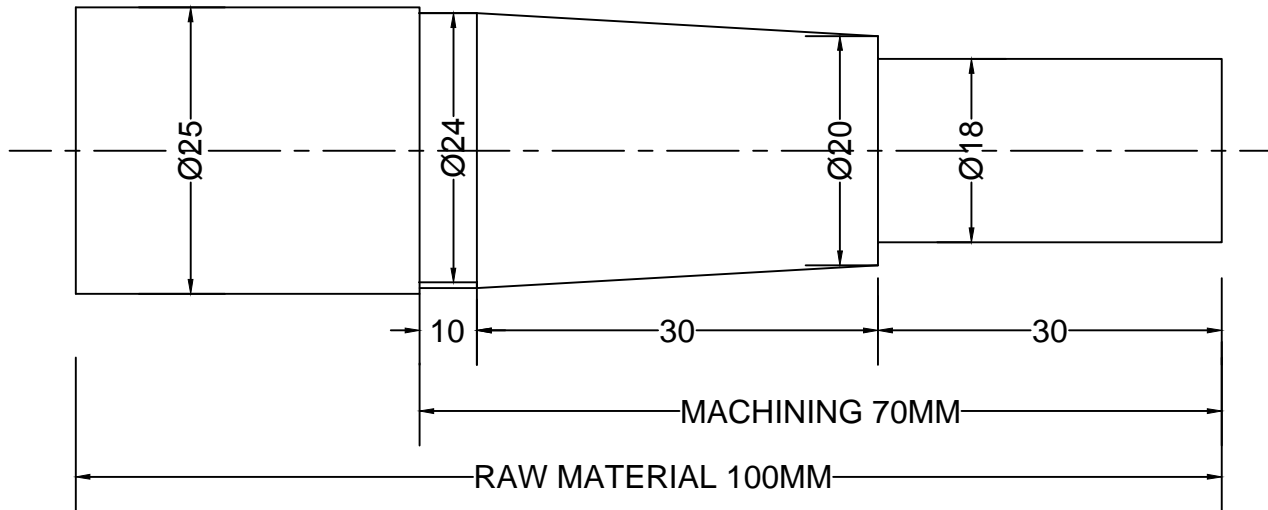
For Techno India NJR Institute of Technology
 पंकज पोखवाल
 Dr. Pankaj Kumar Porwal
 (Principal)

 TECHNO INDIA NJR INSTITUTE OF TECHNOLOGY	
CNC. LAB Mechanical Department	All Dimension are in mm
	Designed By:- Rajendra Lohar
Operation Performed:- Step turning.	plain turning and
Date :- 01-08-2016	Experiment No.:- 001
Material:- Aluminium	



For Techno India NJR Institute of Technology
 पंकज पौरवाल
 Dr. Pankaj Kumar Porwal
 (Principal)

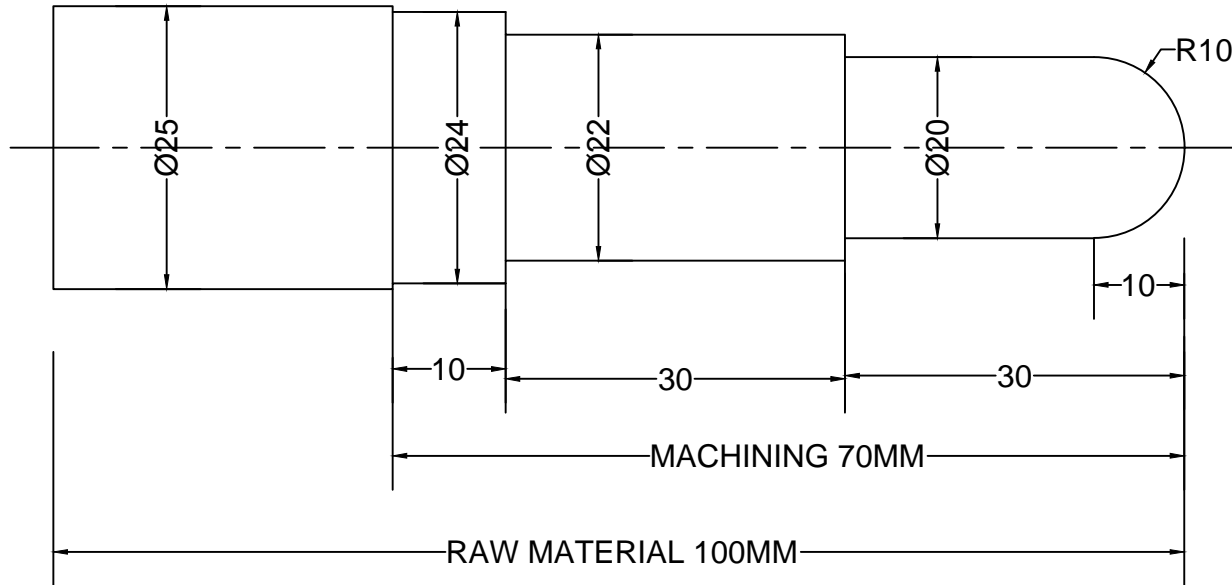
 TECHNO INDIA NJR INSTITUTE OF TECHNOLOGY	
CNC. LAB Mechanical Department	All Dimension are in mm
	Designed By:- Rajendra Lohar
Operation Performed:- Plain or Steps Turning with Chamfering.	
Date :- 01-08-2016	Experiment No.:- 002
Material:- Aluminium	




For Techno India NJR Institute of Technology
 पंकज पोरवाल
 Dr. Pankaj Kumar Porwal
 (Principal)

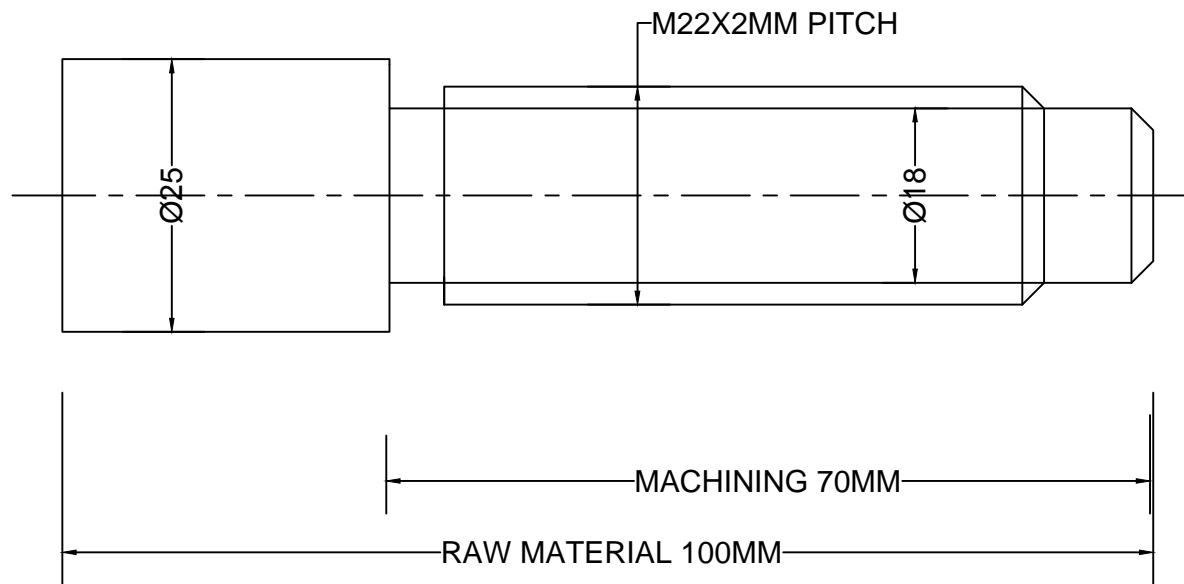


CNC. LAB Mechanical Department	All Dimension are in mm
	Designed By:- Rajendra Lohar
Operation Performed:- Facing, Turning or Taper turning operations.	
Date :- 01-08-2016	Experiment No.:- 003
Material:- Aluminium	




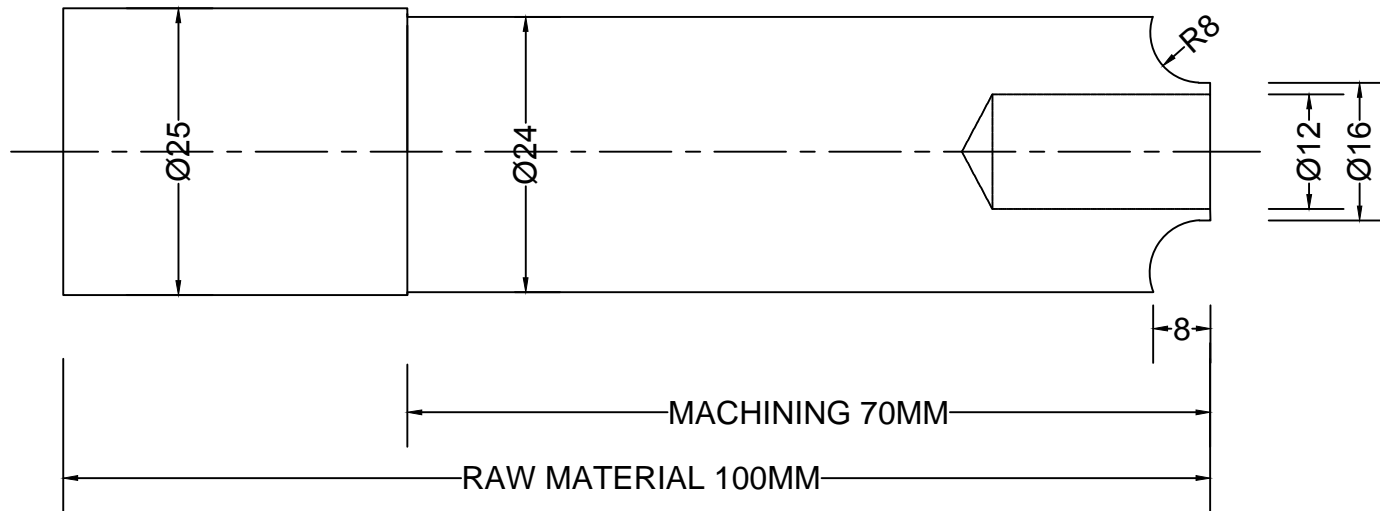
For Techno India NJR Institute of Technology
 पंकज पौरवाल
 Dr. Pankaj Kumar Porwal
 (Principal)

 TECHNO INDIA NJR INSTITUTE OF TECHNOLOGY	
CNC. LAB Mechanical Department	All Dimension are in mm
	Designed By:- Rajendra Lohar
Operation Performed:- clock wise Radius cutting or turning operations.	
Date :- 01-08-2016	Experiment No.:- 004
Material:- Aluminium	




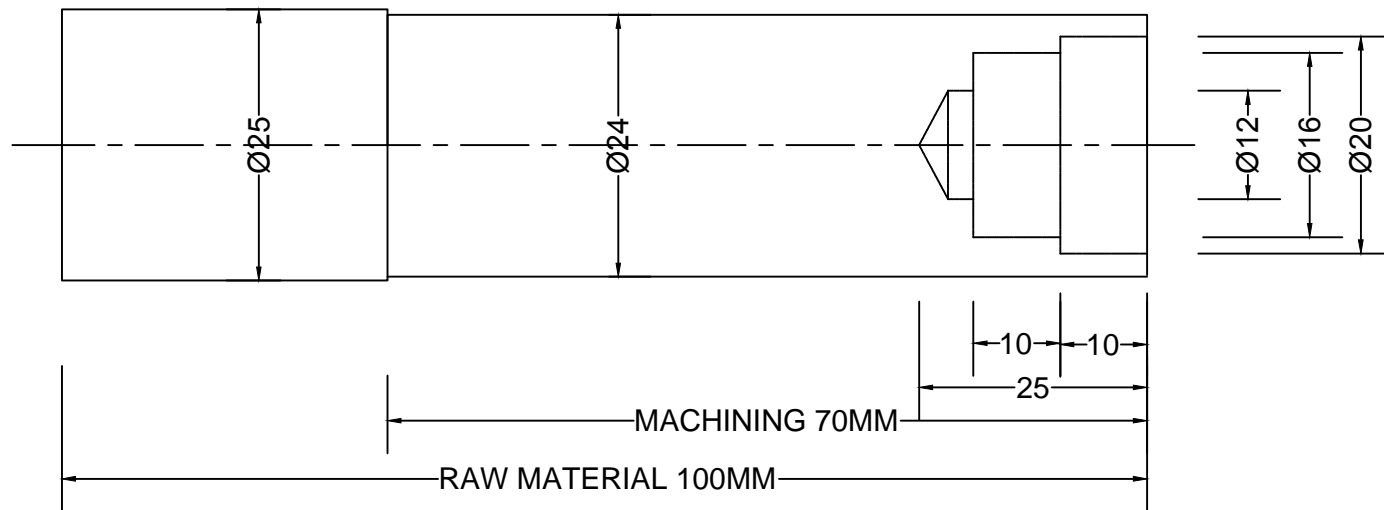
For Techno India NJR Institute of Technology
 पंकज पोरवाल
 Dr. Pankaj Kumar Porwal
 (Principal)

 TECHNO INDIA NJR INSTITUTE OF TECHNOLOGY	
CNC. LAB Mechanical Department	All Dimension are in mm Designed By:- Rajendra Lohar
Operation Performed:- Metric V Thread cutting with Grooving operation.	
Date :- 01-08-2016 Material:- Aluminium	Experiment No.:- 005




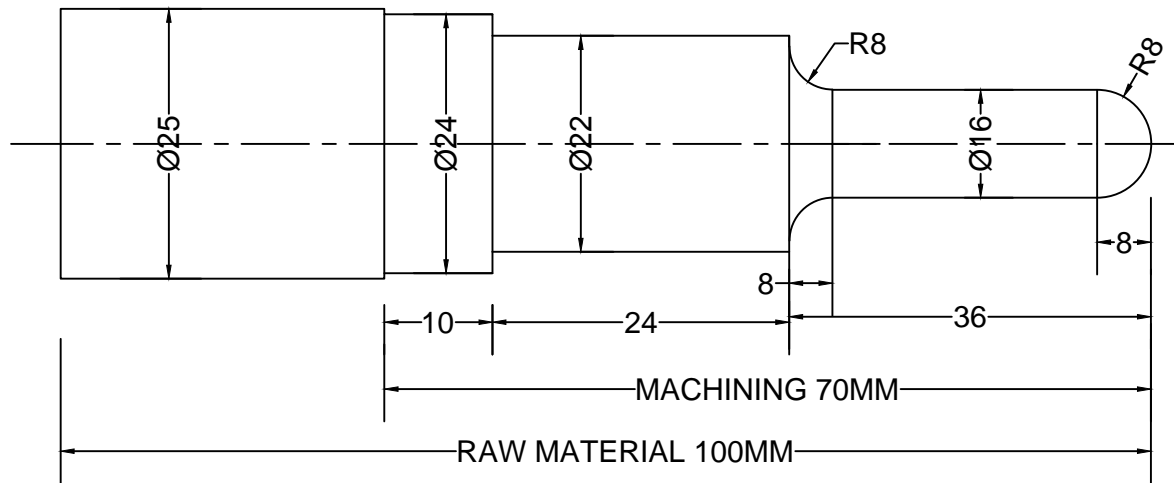
For Techno India NJR Institute of Technology
 पंकज पोखवाल
 Dr. Pankaj Kumar Porwal
 (Principal)

 TECHNO INDIA NJR INSTITUTE OF TECHNOLOGY	
CNC. LAB Mechanical Department	All Dimension are in mm
	Designed By:- Rajendra Lohar
Operation Performed:- Drilling or counter clock wise radius turning operations.	
Date :- 01-08-2016	Experiment No.:- 006
Material:- Aluminium	




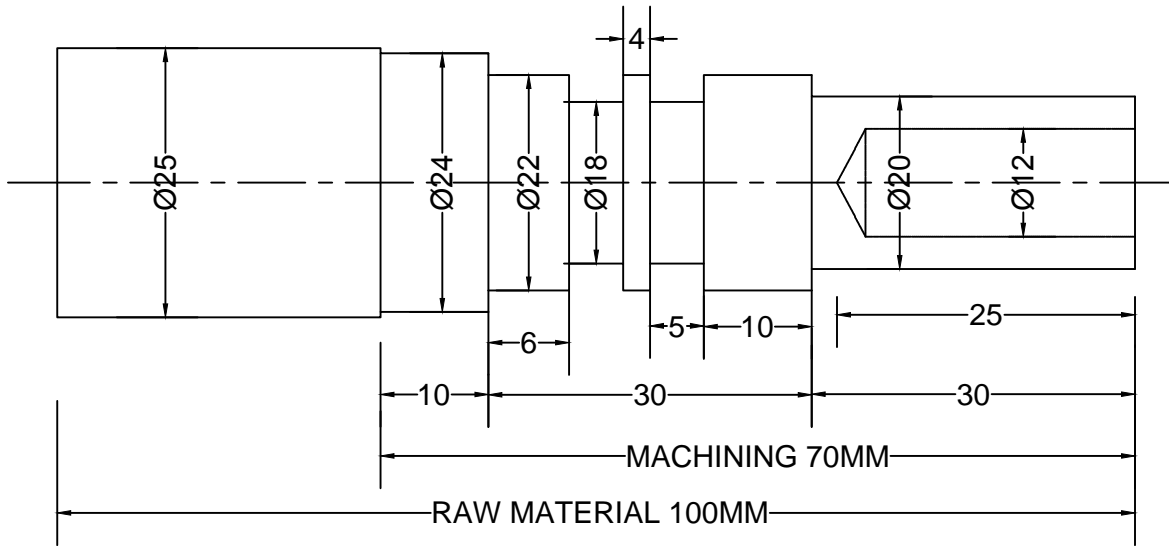
For Techno India NJR Institute of Technology
 पंकज पोखवाल
 Dr. Pankaj Kumar Porwal
 (Principal)

 TECHNO INDIA NJR INSTITUTE OF TECHNOLOGY	
CNC. LAB Mechanical Department	All Dimension are in mm
	Designed By:- Rajendra Lohar
Operation Performed:- Drilling or step Boring with boring tool.	
Date :- 01-08-2016	Experiment No.:- 007
Material:- Aluminium	




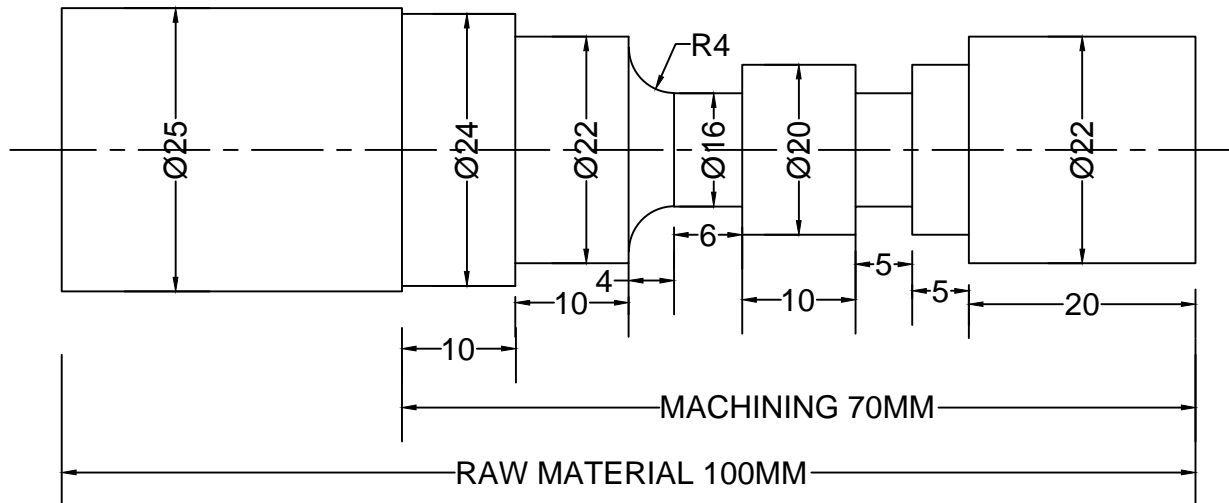
For Techno India NJR Institute of Technology
 पंकज पोखवाल
 Dr. Pankaj Kumar Porwal
 (Principal)

 TECHNO INDIA NJR INSTITUTE OF TECHNOLOGY	
CNC. LAB Mechanical Department	All Dimension are in mm Designed By:- Rajendra Lohar
Operation Performed:- Radius cutting clock wise or counter clock wise	
Date :- 01-08-2016 Material:- Aluminium	Experiment No.:- 008




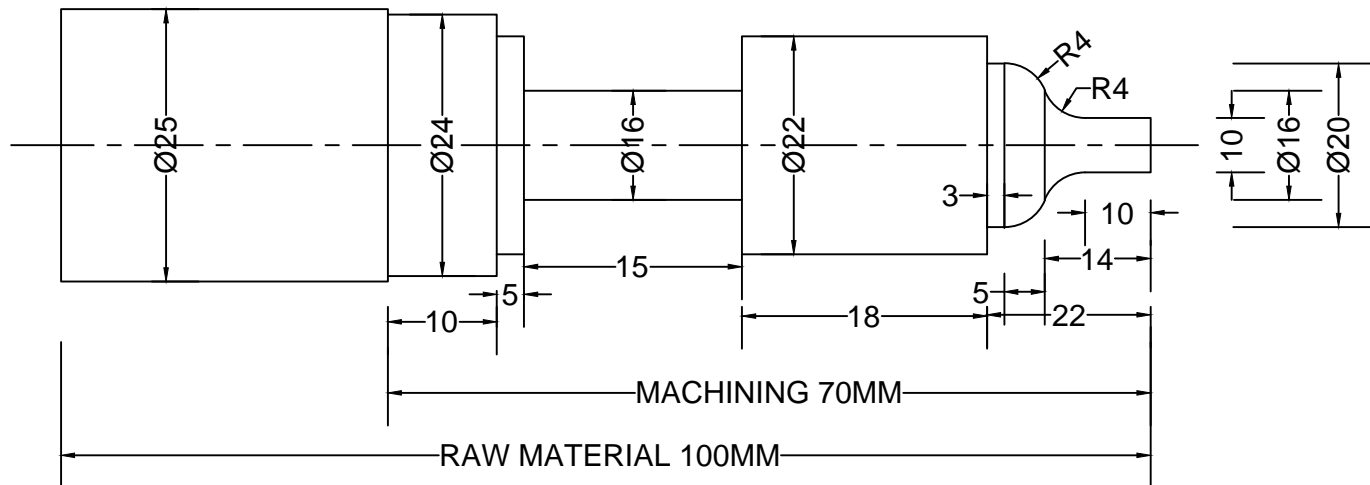
For Techno India NJR Institute of Technology
 पंकज पोखवाल
 Dr. Pankaj Kumar Porwal
 (Principal)

 TECHNO INDIA NJR INSTITUTE OF TECHNOLOGY	
CNC. LAB Mechanical Department	All Dimension are in mm
	Designed By:- Rajendra Lohar
Operation Performed:- Drilling or double grooving operations.	
Date :- 01-08-2016	Experiment No.:- 009
Material:- Aluminium	




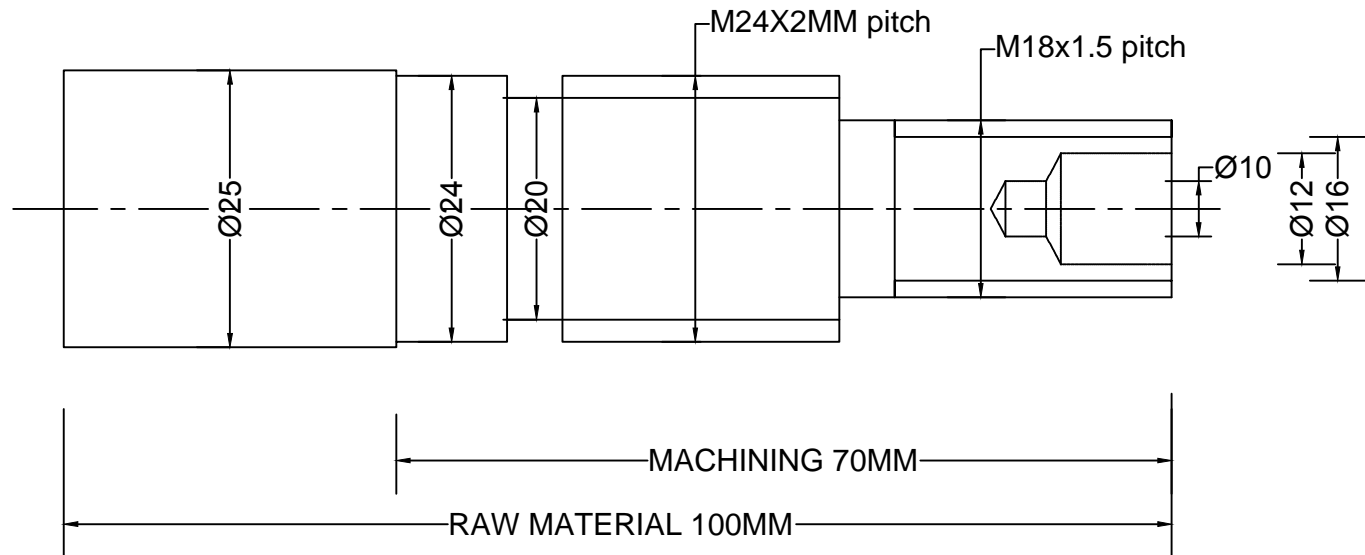
For Techno India NJR Institute of Technology
 पंकज पोखवाल
 Dr. Pankaj Kumar Porwal
 (Principal)

 TECHNO INDIA NJR INSTITUTE OF TECHNOLOGY	
CNC. LAB Mechanical Department	All Dimension are in mm
	Designed By:- Rajendra Lohar
Operation Performed:- Negative side step or radius turning by grooving tool	
Date :- 01-08-2016	Experiment No.:- 010
Material:- Aluminium	




For Techno India NJR Institute of Technology
 पंकज पोखवाल
 Dr. Pankaj Kumar Porwal
 (Principal)

 TECHNO INDIA NJR INSTITUTE OF TECHNOLOGY	
CNC. LAB Mechanical Department	All Dimension are in mm
	Designed By:- Rajendra Lohar
Operation Performed:- Broad Grooving or double (CW or CCW) Radius.	
Date :- 01-08-2016	Experiment No.:- 011
Material:- Aluminium	



For Techno India NJR Institute of Technology
 पंकज पोरवाल
 Dr. Pankaj Kumar Porwal
 (Principal)

 TECHNO INDIA NJR INSTITUTE OF TECHNOLOGY	
CNC. LAB Mechanical Department	All Dimension are in mm
Operation Performed:- Double step Threading or double Drilling with Groove cutting.	
Date :- 01-08-2016	Experiment No.:- 012
Material:- Aluminium	