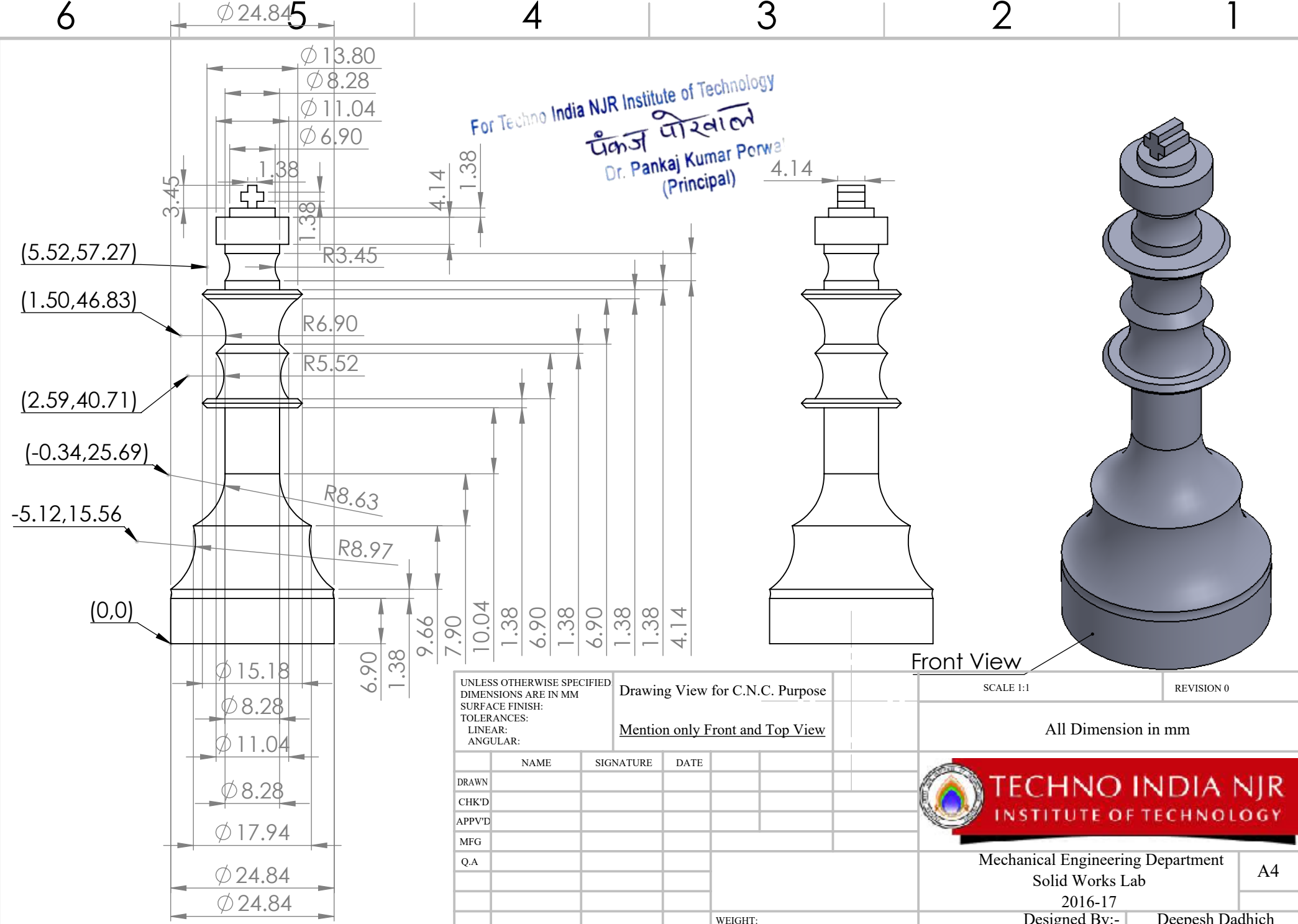


For Techno India NJR Institute of Technology
 पंकज पोरवाल
 Dr. Pankaj Kumar Porwal
 (Principal)



UNLESS OTHERWISE SPECIFIED DIMENSIONS ARE IN MM			Drawing View for C.N.C. Purpose		
SURFACE FINISH:			Mention only Front and Top View		
TOLERANCES:					
LINEAR:					
ANGULAR:					
	NAME	SIGNATURE	DATE		
DRAWN					
CHK'D					
APPV'D					
MFG					
Q.A					
			WEIGHT:		

SCALE 1:1

REVISION 0

All Dimension in mm

TECHNO INDIA NJR
 INSTITUTE OF TECHNOLOGY

Mechanical Engineering Department
 Solid Works Lab
 2016-17

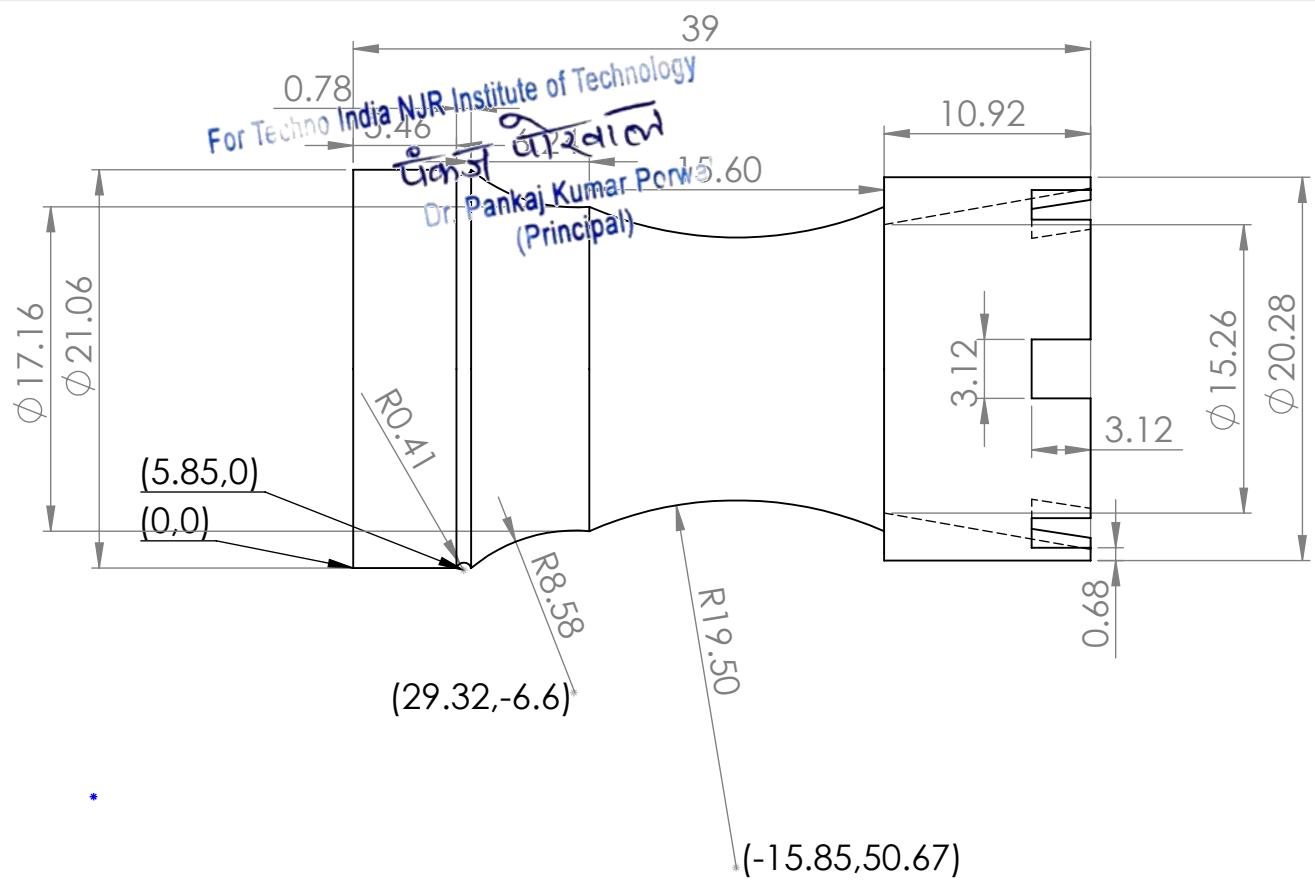
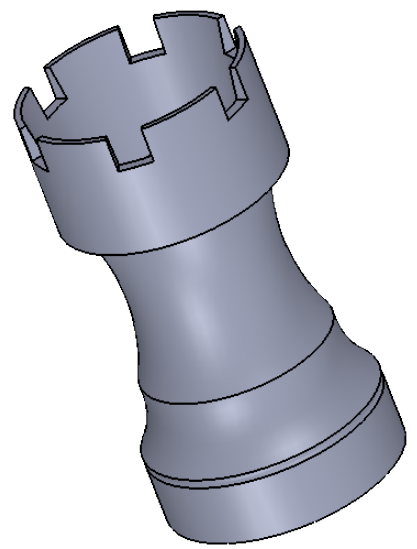
Designed By:- Deepesh Dadhich


A4

6 5 4 3 2 1

D
C
B
A

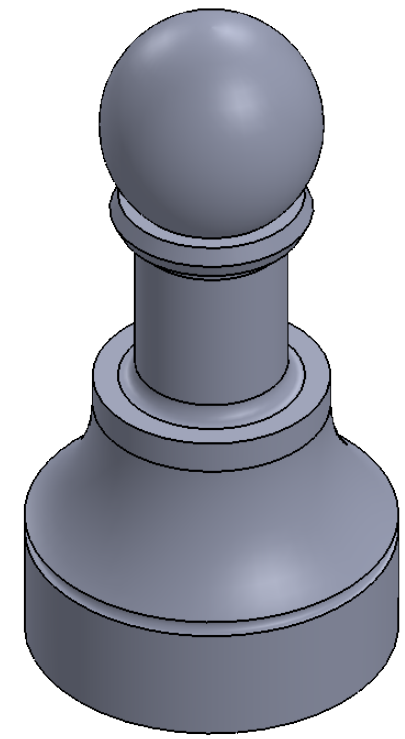
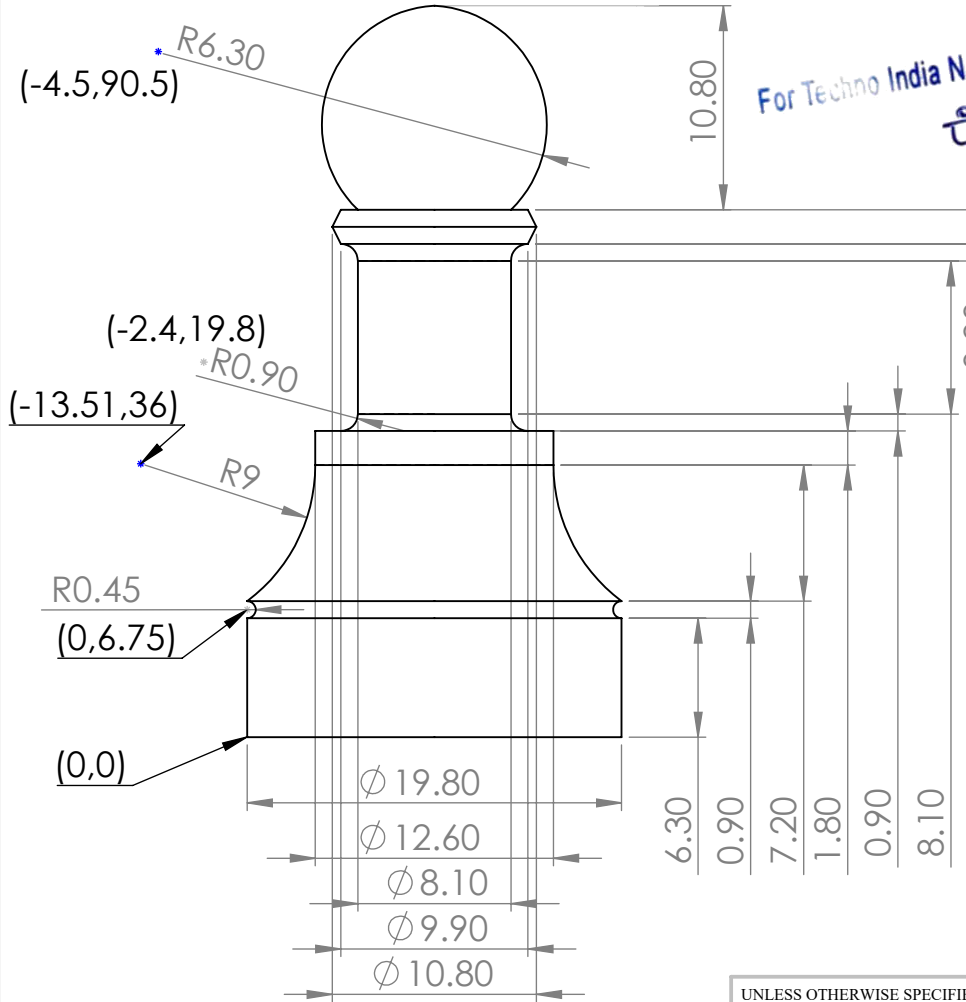
D
C
B
A




UNLESS OTHERWISE SPECIFIED DIMENSIONS ARE IN MM SURFACE FINISH: TOLERANCES: LINEAR: ANGULAR:		Drawing View for C.N.C. Purpose Mention only Front and Top View		SCALE 1:1	REVISION 0
				All Dimension in mm	
NAME	SIGNATURE	DATE		 TECHNO INDIA NJR INSTITUTE OF TECHNOLOGY Mechanical Engineering Department Solid Works Lab 2016-17 Designed By:- <u>Deepesh Dadhich</u>	
DRAWN					
CHK'D					
APPV'D					
MFG					
Q.A					A4
			WEIGHT:		

6 5 4 3 2 1

For Techno India NJR Institute of Technology
 पंकज पोखरण
 Dr. Pankaj Kumar Porwal
 (Principal)



UNLESS OTHERWISE SPECIFIED DIMENSIONS ARE IN MM		Drawing View for C.N.C. Purpose		
SURFACE FINISH:		Mention only Front and Top View		
TOLERANCES:				
LINEAR:				
ANGULAR:				
	NAME	SIGNATURE	DATE	
DRAWN				
CHK'D				
APPV'D				
MFG				
Q.A				
				WEIGHT:

SCALE 1:1	REVISION 0
All Dimension in mm	
 TECHNO INDIA NJR INSTITUTE OF TECHNOLOGY	
Mechanical Engineering Department	
Solid Works Lab	
2016-17	
Designed By:-	Deepesh Dadhich

A4